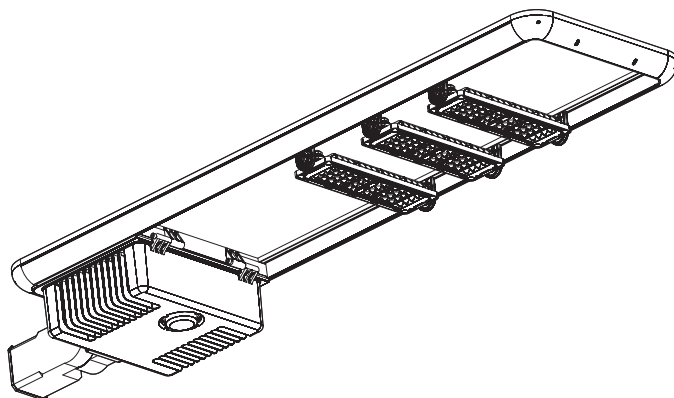



LED PERFORMANCE SOLAR STREETLIGHT

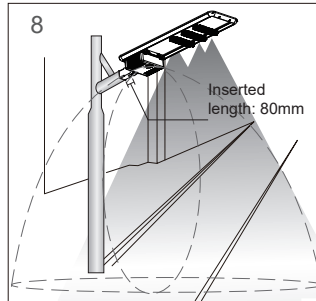
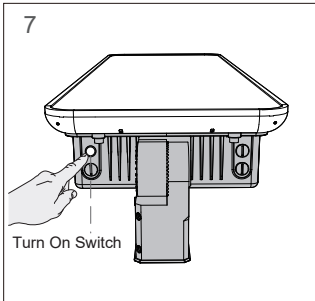
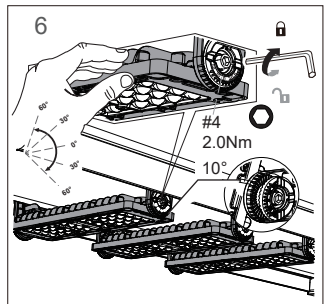
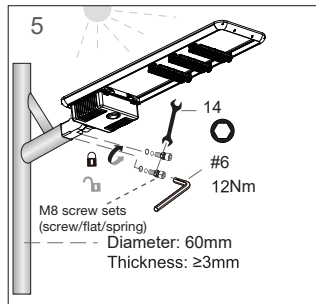
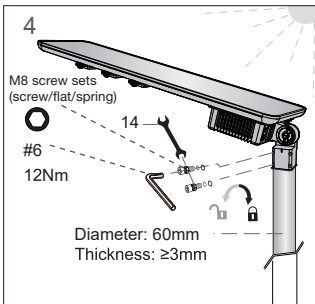
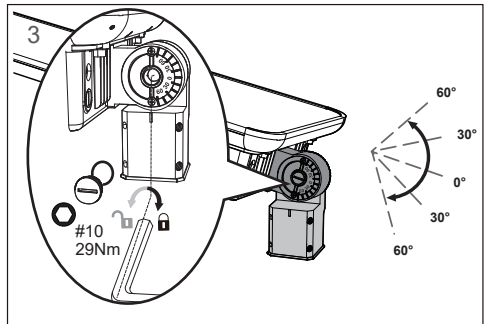
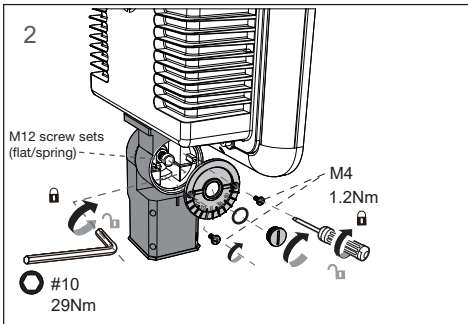
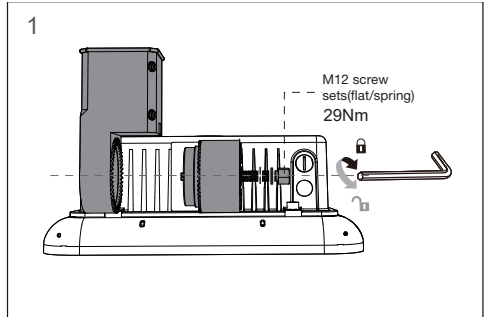
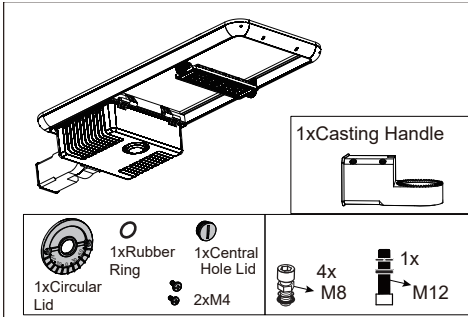


System wattage	CCT	Battery parameter	Battery output current	Motion sensor	IP	Dimension (mm)	Projected Area (m2)	Max. installing height		Ta (°C)
10W	3000K/4000K/6500K	LiFePO4 12.8V 12Ah	0.78A	No	66	681x358x130	0.206	5 meters	9.5Kg	-20 ... +50
20W	3000K/4000K/6500K	LiFePO4 12.8V 18Ah	1.56A	No	66	825x358x130	0.258	6 meters	10.9Kg	-20 ... +50
30W	3000K/4000K/6500K	LiFePO4 12.8V 24Ah	2.34A	No	66	969x358x130	0.309	6 meters	12.9Kg	-20 ... +50
40W	3000K/4000K/6500K	LiFePO4 12.8V 30Ah	3.13A	No	66	1149x358x130	0.374	8 meters	14.3Kg	-20 ... +50
50W	3000K/4000K/6500K	LiFePO4 12.8V 36Ah	3.9A	No	66	1293x358x130	0.425	10 meters	16.5Kg	-20 ... +50
60W	3000K/4000K/6500K	LiFePO4 12.8V 42Ah	4.69A	No	66	1437x358x130	0.477	10 meters	17.9Kg	-20 ... +50
10W	3000K/4000K/6500K	LiFePO4 12.8V 12Ah	0.78A	Yes	66	681x358x136	0.206	5 meters	9.5Kg	-20 ... +50
20W	3000K/4000K/6500K	LiFePO4 12.8V 18Ah	1.56A	Yes	66	825x358x136	0.258	6 meters	10.9Kg	-20 ... +50
30W	3000K/4000K/6500K	LiFePO4 12.8V 24Ah	2.34A	Yes	66	969x358x136	0.309	6 meters	12.9Kg	-20 ... +50
40W	3000K/4000K/6500K	LiFePO4 12.8V 30Ah	3.13A	Yes	66	1149x358x136	0.374	8 meters	14.3Kg	-20 ... +50
50W	3000K/4000K/6500K	LiFePO4 12.8V 36Ah	3.9A	Yes	66	1293x358x136	0.425	8 meters	16.5Kg	-20 ... +50
60W	3000K/4000K/6500K	LiFePO4 12.8V 42Ah	4.69A	Yes	66	1437x358x136	0.477	8 meters	17.9Kg	-20 ... +50



LEDVANCE

LED PERFORMANCE SOLAR STREETLIGHT



BEFORE THE FIRST TIME USE OF THIS PRODUCT

1. Adjust solar panel facing sun trajectory, press the switch button to 'ON' position, to charge the battery (not less than 8 hours) fully.
2. Artificial light will not charge the battery. It must be charged in sunlight.



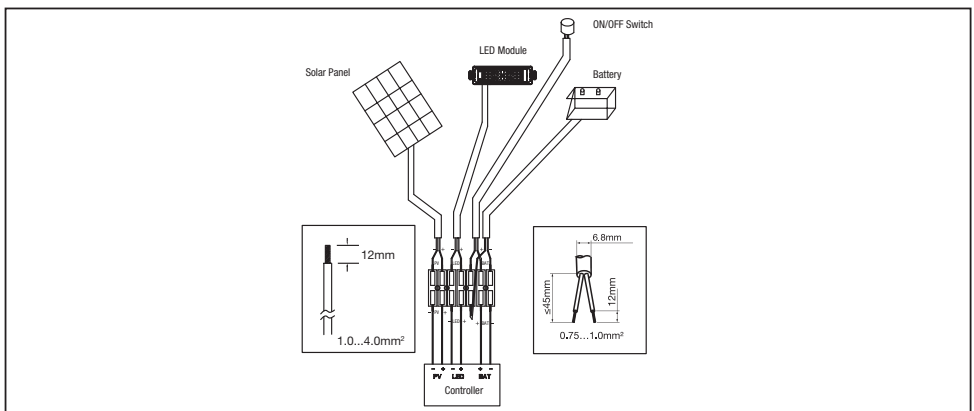
WARNING:

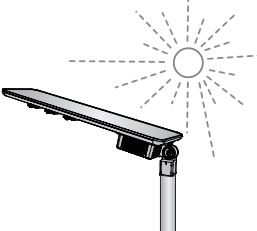
- Please keep the fixture out of reach of children.
- Do not dispose of Li-ion battery in the regular trash, municipal waste stream or by fire, as batteries may leak or explode.
- Do not open, short circuit or damage batteries, as injury may occur.
- Preserve the environment by recycling Li-ion batteries or disposing of them in accordance with local regulations.
- Do not mix old and new batteries.
- For outdoor use.
- The light source contained in this luminaire shall only be replaced by the manufacturer or his service agent or a similar qualified person.
- To keep solar panel and lens free of dust and deposits by wiping with a dry cloth or warm soapy water if necessary. A dirty solar panel will not allow the batteries to fully charge and this will shorten the life of the batteries and may cause the streetlight to malfunction.

DISPOSAL OF THIS PRODUCT:



This marking indicates that this product should not be disposed with other household wastes. To prevent possible harm to the environment or human health from uncontrolled waste disposal, recycle it responsibly to promote the sustainable reuse of material resources. To return your used device, please use the return and collection systems or contact the retailer where the product was purchased to ensure an environmentally and friendly recycling.



TECHNICAL ISSUES	POSSIBLE SOLUTIONS
Light does not Switch ON.	<ul style="list-style-type: none"> • Ensure the switch button on the main body has been turned to the ON position. • Ensure the batteries have been fully charged in direct sunlight for not less than 8 hours - refer to the “Before First Time Use of Your Solar Streetlight”. Artificial light will not charge the battery. It must be charged in sunlight. • Check if the solar panel faces Sun (as shown in the figure 1 below) and it receives 6-8 hours of sunlight per day, enable the batteries to be fully charged.
Light does not bright as normal.	<ul style="list-style-type: none"> • Battery charge may be low. Keep the switch button at the ON position and charge the batteries for not less than 8 hours, ensure the solar panels have been placed in facing direct sunlight. • Make sure solar panel faces Sun (as shown in the figure 1 below) and it receives 6-8 hours of sunlight per day. • The solar panel surface too dirty. Do wiping with a dry cloth or warm soapy water if necessary.
<p>Figure 1.</p> 	

☎ LEDVANCE Sdn, Bhd. (1166537-U)
100.7.009, 129 Offices, Block J, Jaya One
No. 72A, Jalan Universiti, 46200 Petaling Jaya,
Selangor Darul Ehsan,
Malaysia

☎ LEDVANCE Pte Ltd.
988 Toa Payoh North, # 03-06,
Singapore 319002

☎ LEDVANCE Pvt. Ltd.
1201-1202, 12th Floor, Signature Towers, Tower - A,
South City - I, Gurugram - 122001, Haryana (India)
Consumer care (Name and address as per above),

Consumer care Tel. No. 0124-4150100
E-mail id: customercare@ledvance.com
www.ledvance.in

☎ (주)레드밴스
서울시 강남구 삼성로554예성빌딩6층
(우편번호 06165)
전화번호: +82 80 4891 700
www.ledvance.co.kr

☎ LEDVANCE Prosperity Co. Ltd.
20/F Cornell Centre, 50 Wing Tai Rd., Chai Wan,
Hong Kong

☎ LEDVANCE Middle East FZE
Jebel Ali Free Zone, JAFZA 16, Office 603
P.O. Box 17476, Dubai – UAE

☎ LEDVANCE Pty Ltd
ABN 34 050 103 181
Suite 2.1A, 394 Lane Cove Road
Macquarie Park NSW 2113,
Australia
Ph +61 29481 8399/1300 467 726
www.ledvance.com.au



IP66 IK07

C10449057
G11119872
2021-04-30

www.ledvance.com