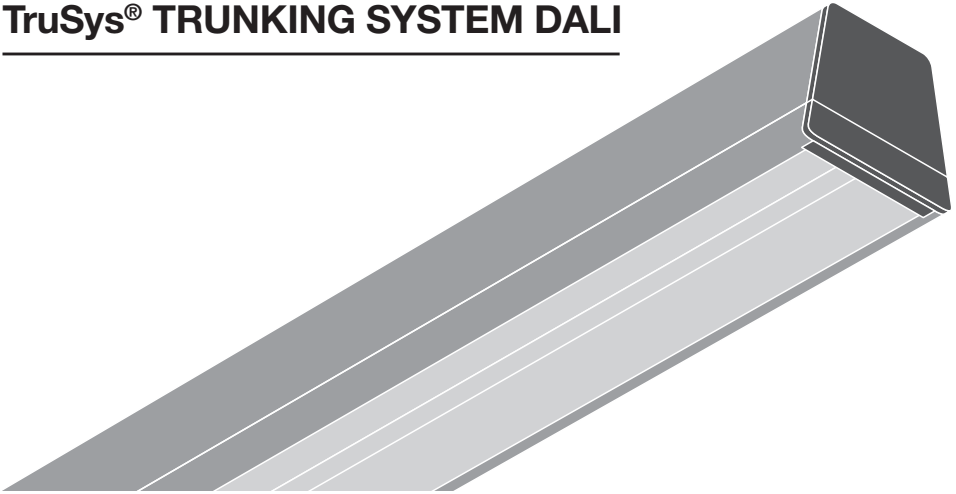
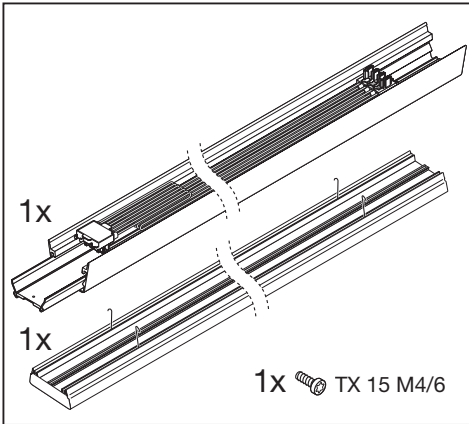


## TruSys® TRUNKING SYSTEM DALI



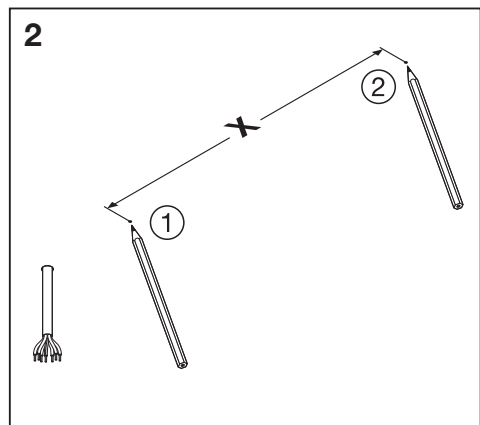
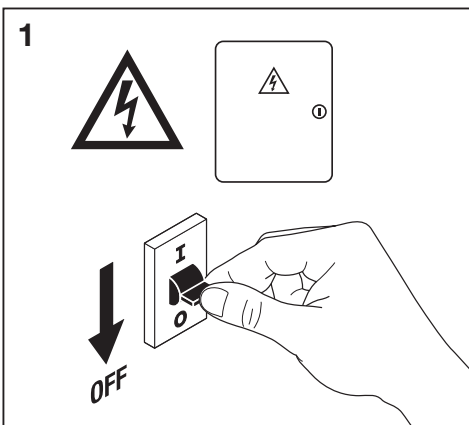
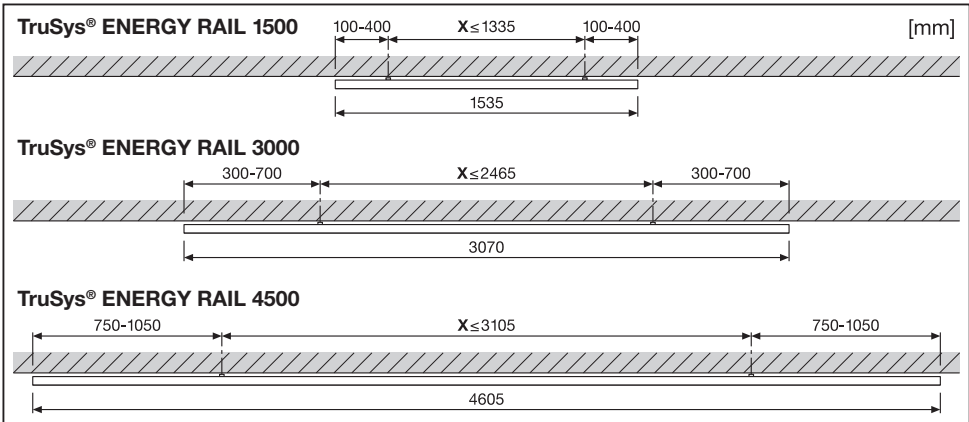
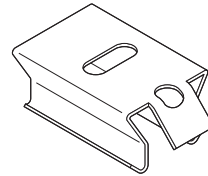
	EAN	l x w x h [mm]	W	lm	lm/W	K	IP	IK
TruSys® LED DALI 53W 3000K W SI	4058075102460	1535 x 71 x 53	53	6600	125	3000	20	07
TruSys® LED DALI 53W 4000K W SI	4058075102484	1535 x 71 x 53	53	7200	135	4000	20	07
TruSys® LED DALI 53W 6500K W SI	4058075102507	1535 x 71 x 53	53	6900	130	6500	20	07
TruSys® LED DALI 53W 3000K NFL SI	4058075102521	1535 x 71 x 53	53	6200	115	3000	20	07
TruSys® LED DALI 53W 4000K NFL SI	4058075102545	1535 x 71 x 53	53	6700	125	4000	20	07
TruSys® LED DALI 53W 6500K NFL SI	4058075102569	1535 x 71 x 53	53	6500	125	6500	20	07
TruSys® LED DALI 53W 3000K WW SI	4058075102583	1535 x 71 x 53	53	5700	110	3000	20	07
TruSys® LED DALI 53W 4000K WW SI	4058075102606	1535 x 71 x 53	53	6300	120	4000	20	07
TruSys® LED DALI 53W 6500K WW SI	4058075102620	1535 x 71 x 53	53	6100	115	6500	20	07
TruSys® LED DALI 53W 3000K DA SI	4058075102644	1535 x 71 x 53	53	6400	120	3000	20	07
TruSys® LED DALI 53W 4000K DA SI	4058075102668	1535 x 71 x 53	53	6900	130	4000	20	07
TruSys® LED DALI 53W 6500K DA SI	4058075102682	1535 x 71 x 53	53	6700	125	6500	20	07
TruSys® ENERGY RAIL 1500 7X2,5	4058075103450	1535 x 67 x 47	-	-	-	-	20	07
TruSys® ENERGY RAIL 3000 7X2,5	4058075103474	3070 x 67 x 47	-	-	-	-	20	07
TruSys® ENERGY RAIL 4500 7X2,5	4058075103498	4605 x 67 x 47	-	-	-	-	20	07

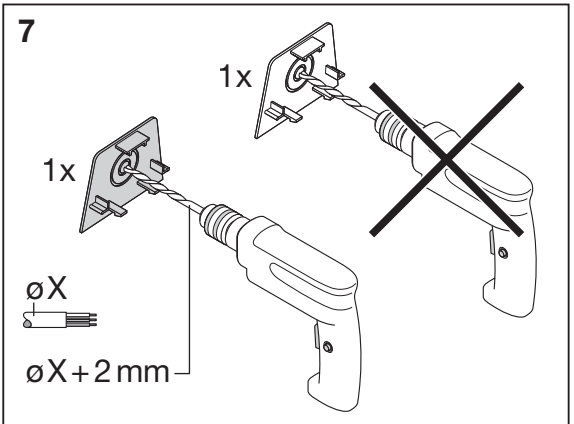
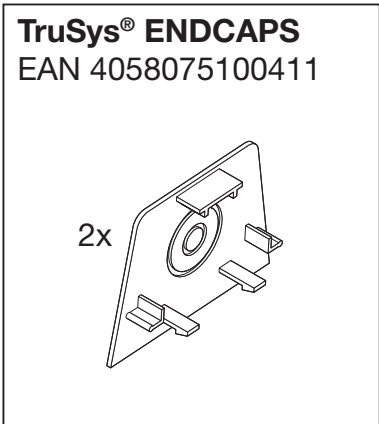
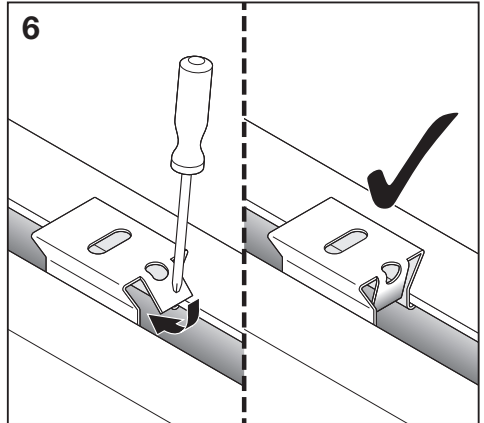
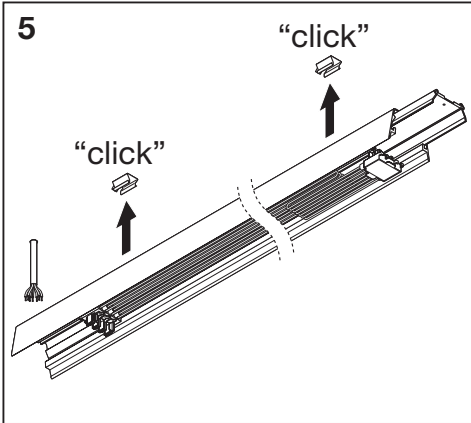
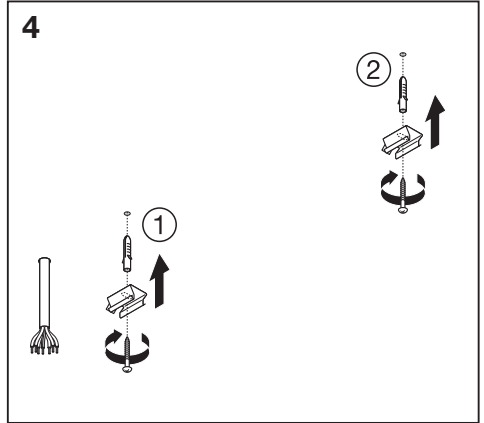
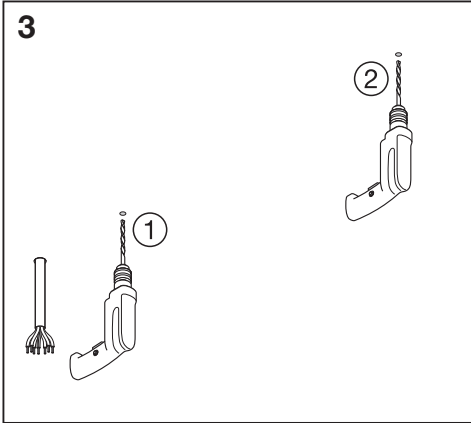
	EAN	°(°C)	V <sub>AC</sub>	Hz	∇	PF	R <sub>a</sub>	⚖
TruSys® LED DALI 53W 3000K W SI	4058075102460	-20...+45	220-240V	50/60 Hz	105°	> 0.95	> 80	1.7 kg
TruSys® LED DALI 53W 4000K W SI	4058075102484	-20...+45	220-240V	50/60 Hz	105°	> 0.95	> 80	1.7 kg
TruSys® LED DALI 53W 6500K W SI	4058075102507	-20...+45	220-240V	50/60 Hz	105°	> 0.95	> 80	1.7 kg
TruSys® LED DALI 53W 3000K NFL SI	4058075102521	-20...+45	220-240V	50/60 Hz	25°	> 0.95	> 80	1.7 kg
TruSys® LED DALI 53W 4000K NFL SI	4058075102545	-20...+45	220-240V	50/60 Hz	25°	> 0.95	> 80	1.7 kg
TruSys® LED DALI 53W 6500K NFL SI	4058075102569	-20...+45	220-240V	50/60 Hz	25°	> 0.95	> 80	1.7 kg
TruSys® LED DALI 53W 3000K WW SI	4058075102583	-20...+45	220-240V	50/60 Hz	45°	> 0.95	> 80	1.7 kg
TruSys® LED DALI 53W 4000K WW SI	4058075102606	-20...+45	220-240V	50/60 Hz	45°	> 0.95	> 80	1.7 kg
TruSys® LED DALI 53W 6500K WW SI	4058075102620	-20...+45	220-240V	50/60 Hz	45°	> 0.95	> 80	1.7 kg
TruSys® LED DALI 53W 3000K DA SI	4058075102644	-20...+45	220-240V	50/60 Hz	2 x 35°	> 0.95	> 80	1.7 kg
TruSys® LED DALI 53W 4000K DA SI	4058075102668	-20...+45	220-240V	50/60 Hz	2 x 35°	> 0.95	> 80	1.7 kg
TruSys® LED DALI 53W 6500K DA SI	4058075102682	-20...+45	220-240V	50/60 Hz	2 x 35°	> 0.95	> 80	1.7 kg
TruSys® ENERGY RAIL 1500 7X2,5	4058075103450	-20...+45	220-240V	50/60 Hz	-	> 0.95	> 80	1.5 kg
TruSys® ENERGY RAIL 3000 7X2,5	4058075103474	-20...+45	220-240V	50/60 Hz	-	> 0.95	> 80	3.0 kg
TruSys® ENERGY RAIL 4500 7X2,5	4058075103498	-20...+45	220-240V	50/60 Hz	-	> 0.95	> 80	4.5 kg



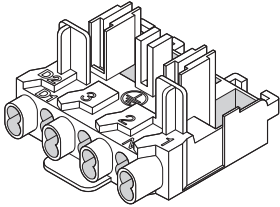
**TruSys®**  
**MOUNTING BRACKETS**  
 EAN 4058075100435

2x

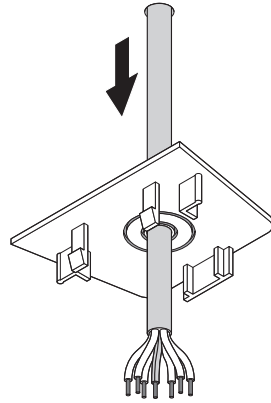




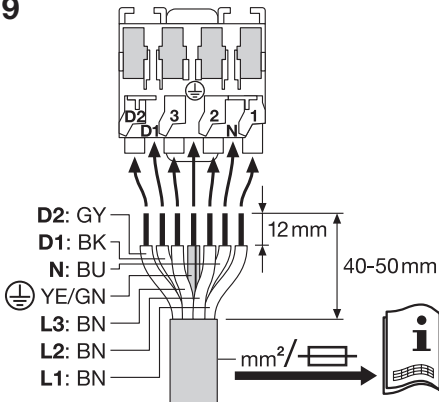
**TruSys®**  
**ELECTRICAL CONNECTOR**  
EAN 4058075155589



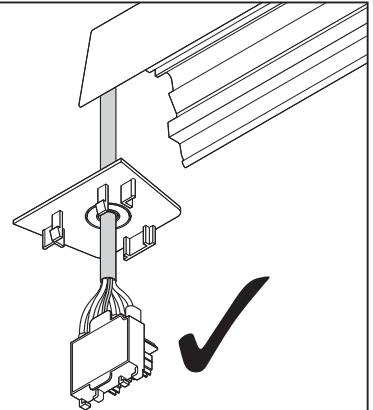
8



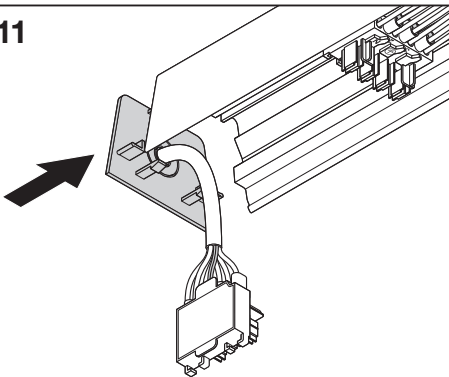
9



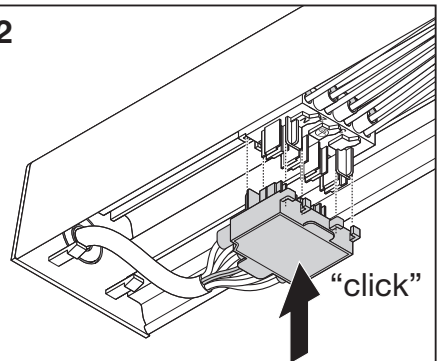
10

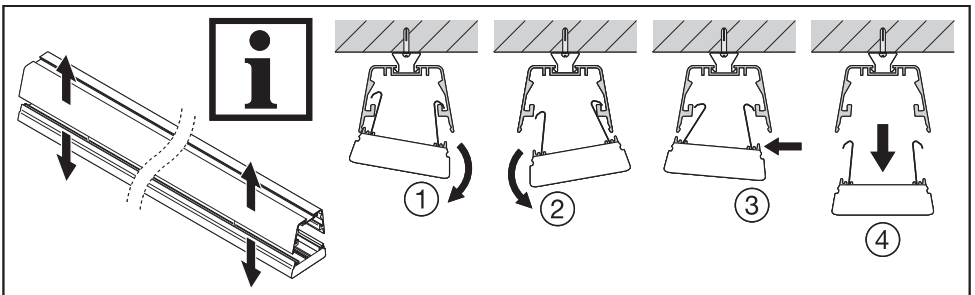
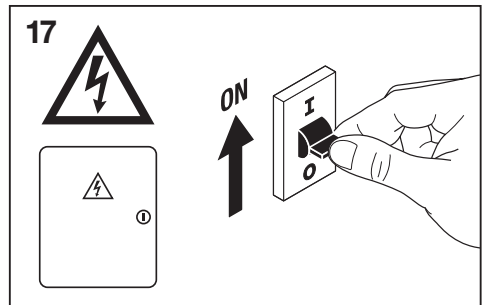
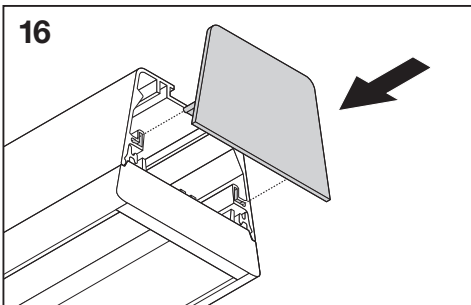
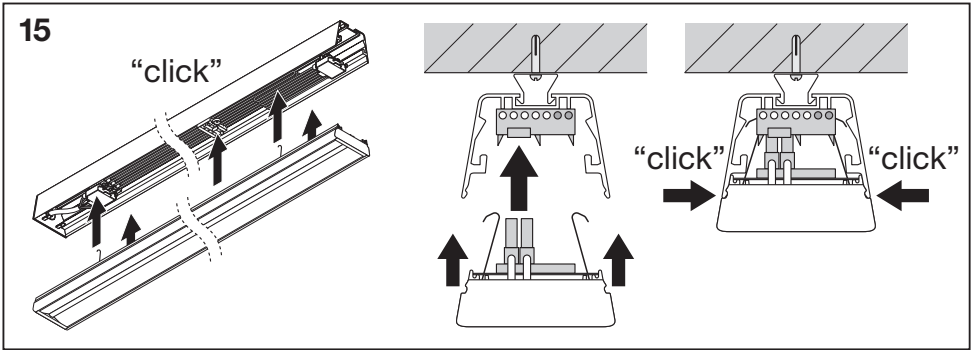
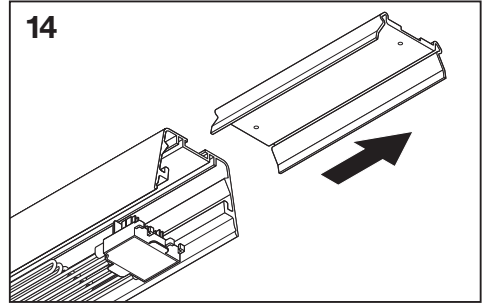
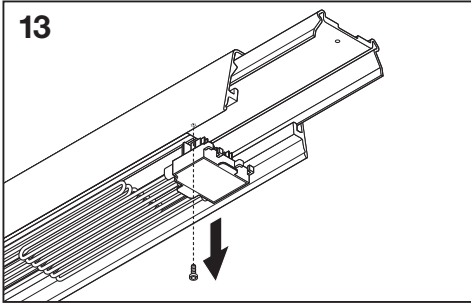


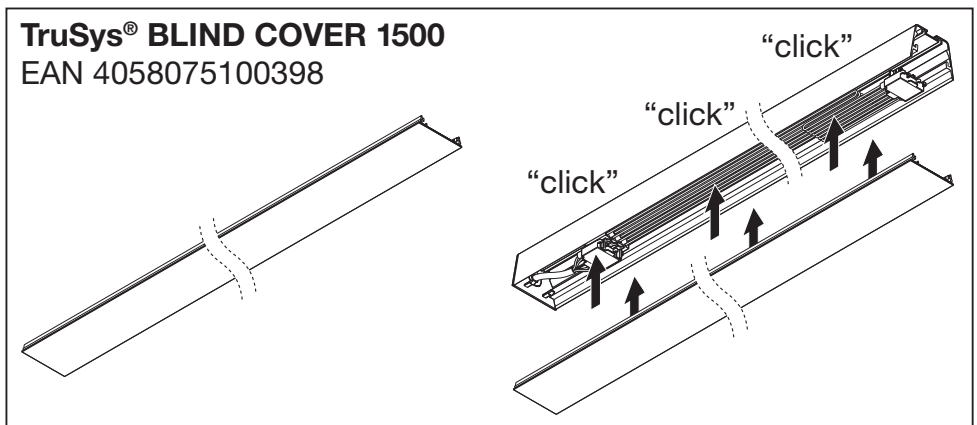
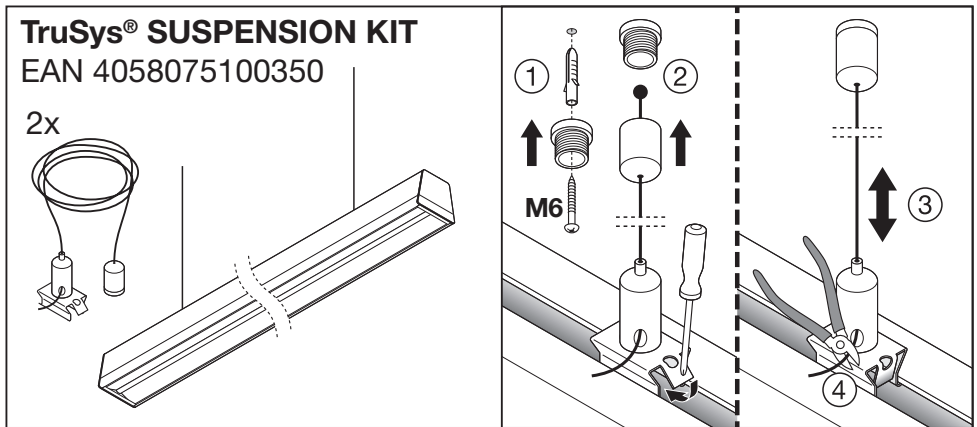
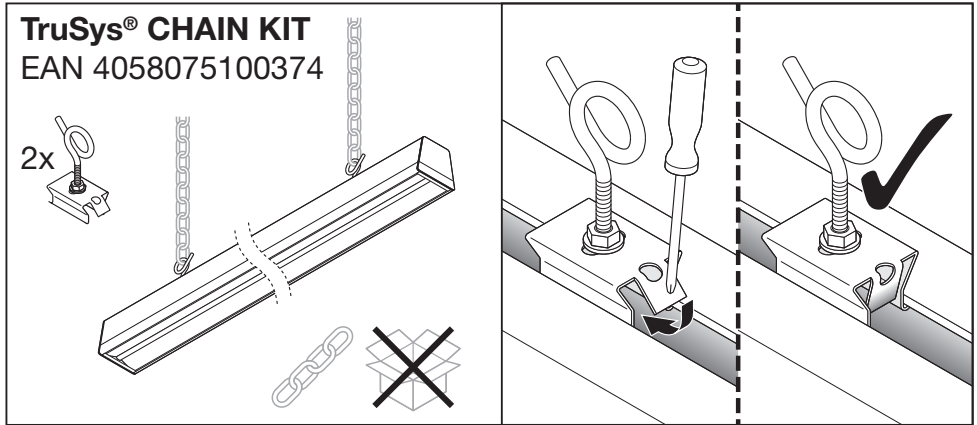
11

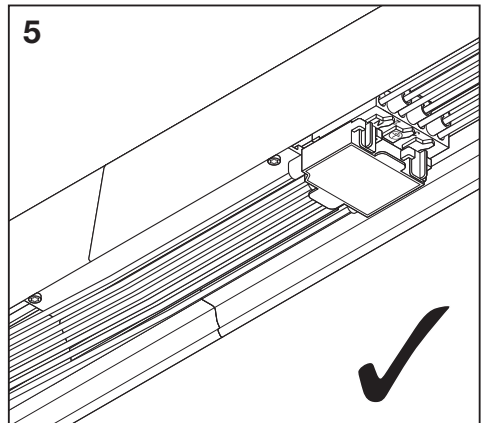
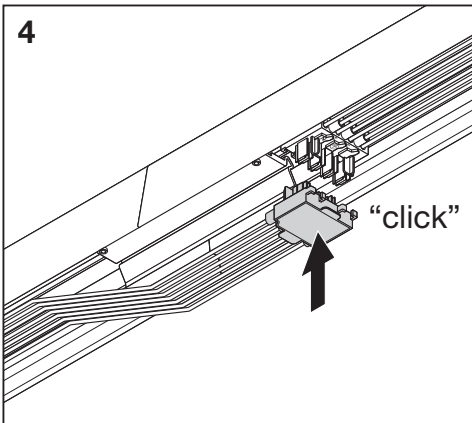
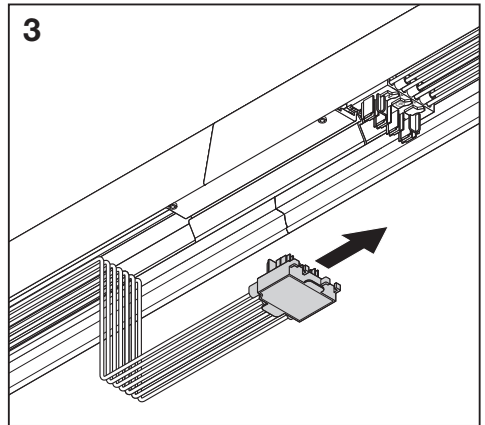
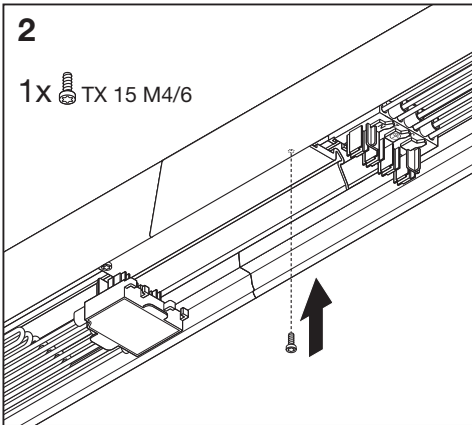
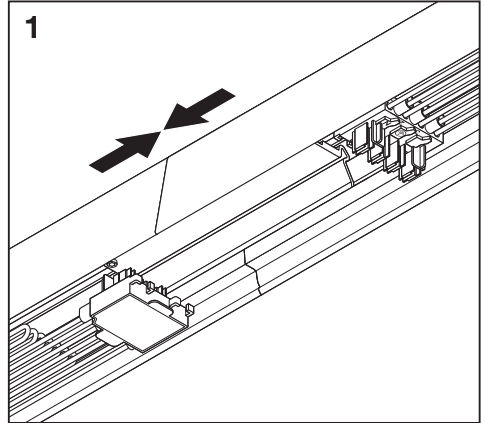
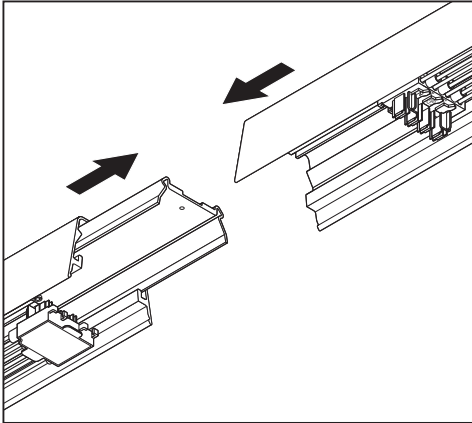


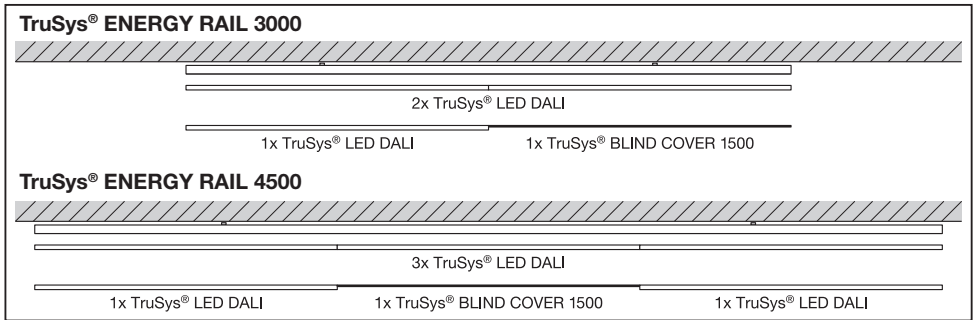
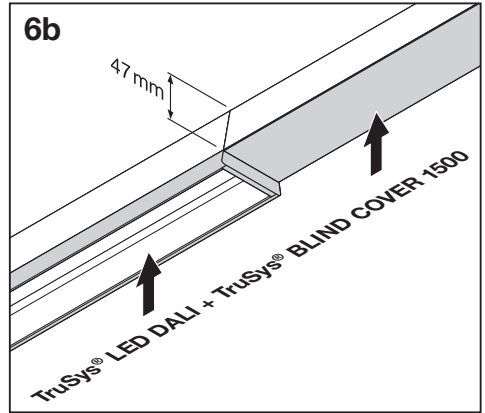
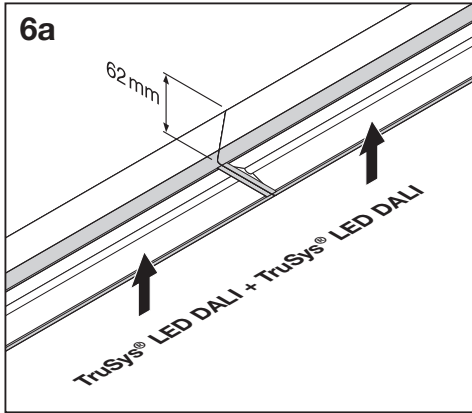
12



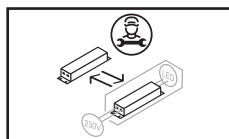
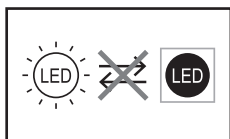








	~ 230V / ~ 223mA / ~ 53W / PF ~ 0.95					
	<b>C10</b>	<b>C13</b>	<b>C16</b>	<b>B10</b>	<b>B13</b>	<b>B16</b>
	1.5mm <sup>2</sup>	1.5mm <sup>2</sup>	2.5mm <sup>2</sup>	1.5mm <sup>2</sup>	1.5mm <sup>2</sup>	2.5mm <sup>2</sup>
<b>LCA 50W 350-1050mA one4all Ip PRE</b>	n=21	n=28	n=35	n=13	n=17	n=21



C10449058  
G11054130V2  
09.04.21



LEDVANCE GmbH  
Steinerne Furt 62  
86167 Augsburg, Germany