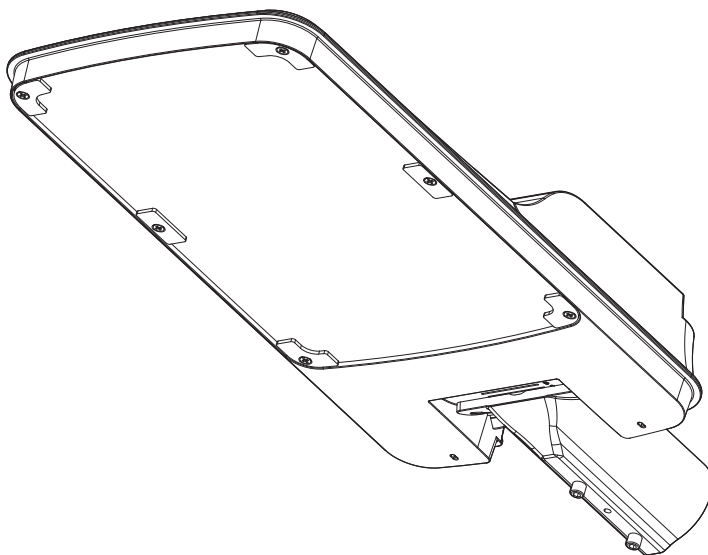


# LED VALUE STREETLIGHT G3

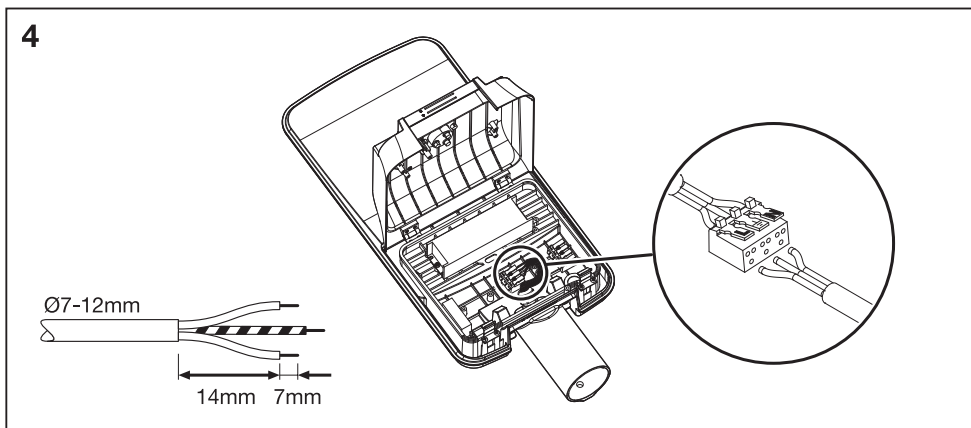
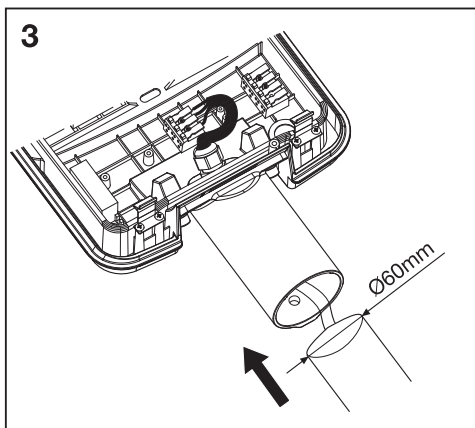
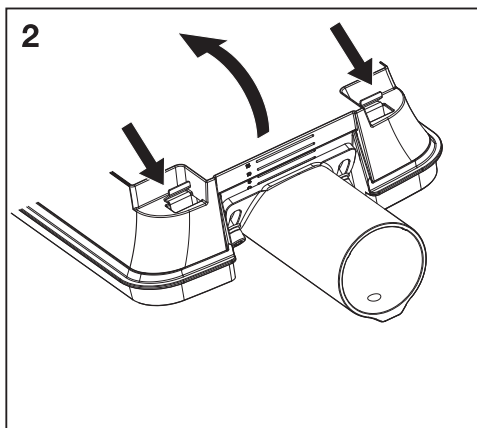
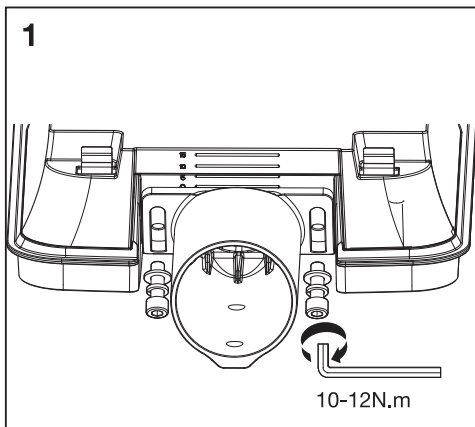
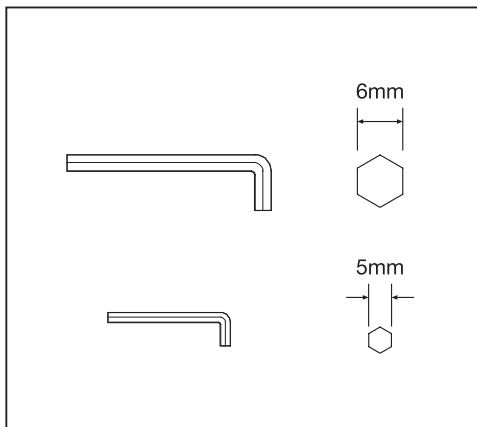


	W	Input Current (A)	CCT (K)	L x W x H (mm)			Projected Area (m <sup>2</sup> )	IP	IK	Ta (°C)	Vac	HZ	⊞
LED VALUE STREETLIGHT G3 30W	30	0.11-0.25	3000 4000 5700	491	234	99	0.09	66	08	-30...+50	120-277V~	50/60Hz	3.9 kg
LED VALUE STREETLIGHT G3 55W	55	0.20-0.46											4.0 kg
LED VALUE STREETLIGHT G3 70W	70	0.25-0.58											3.9 kg
LED VALUE STREETLIGHT G3 90W	90	0.32-0.75		5.3 kg									
LED VALUE STREETLIGHT G3 120W	120	0.43-1.0		644	274	99	0.15						5.4 kg
LED VALUE STREETLIGHT G3 150W	150	0.54-1.25		5.6 kg									
LED VALUE STREETLIGHT G3 180W	180	0.65-1.5		6.3 kg									
LED VALUE STREETLIGHT G3 200W	200	0.72-1.67		745	274	99	0.18						6.5 kg
LED VALUE STREETLIGHT G3 230W	230	0.83-1.92	6.6 kg										

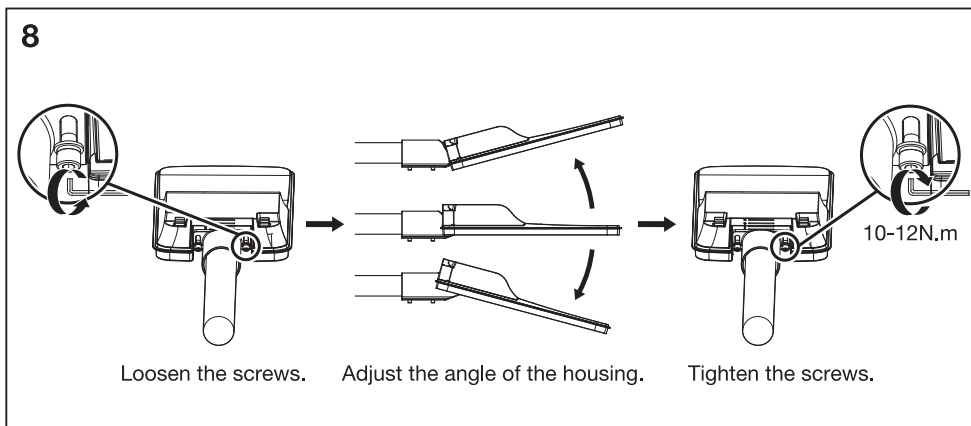
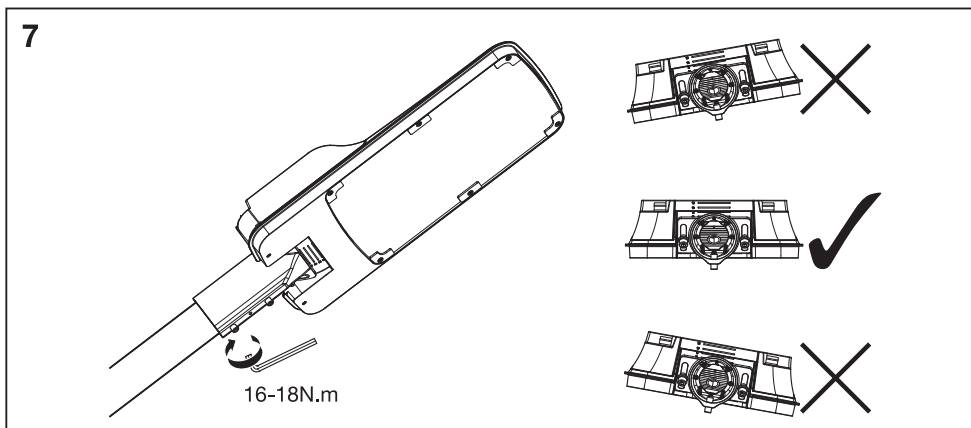
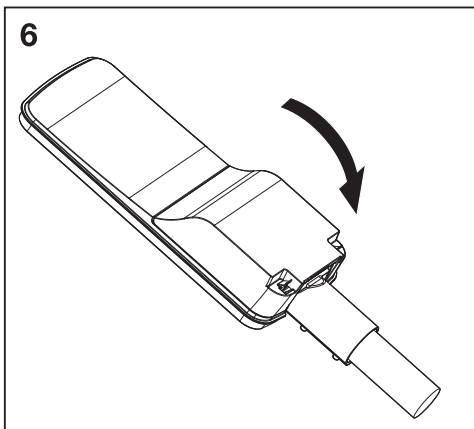
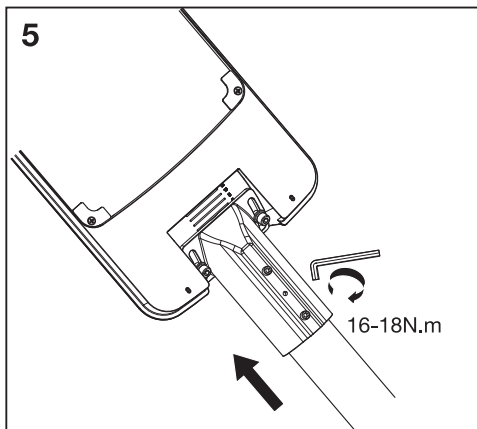


**LEDVANCE**

# LED VALUE STREETLIGHT G3



# LED VALUE STREETLIGHT G3



## WARNING:

- The product must be installed by licensed electrical contractor strictly in accordance with local wiring rules.
- If the external flexible cable or cord of this luminaire is damaged, it shall be exclusively replaced by the manufacturer or his service agent or a similar qualified person to avoid a hazard.
- Please switch off the power supply before changing the product or connection.
- The light source contained in this luminaire shall only be replaced by the manufacturer or his service agent or a similar qualified person.



### Caution, risk of electric shock

- The product is suitable for outdoor use.
- Please note that the fixture is equipped with standard surge protection only, to protect the fixture from sags, surges and lightning strikes, additional surge protectors must be deployed on the primary side.
- Range mounting height 6-12m.
- Electronic controlgear for LED modules tc 90°C, LED module tc 100°C.
- Glass cover constituted with a glass having a high impact shock resistance.
- 120-277V~, 50/60Hz, Class I, IP66, ta 50°C, 3000K/4000K/5700K, PF > 0.9 (30W/70W: PF > 0.85).

☉ LEDVANCE Pte. Ltd.  
320 Serangoon Road #14-02,  
Centrium Square 218108, Singapore.  
Phone +65 6911 8260

☉ LEDVANCE Sdn, Bhd. (1166537-U)  
100.7.009, 129 Offices, Block J, Jaya One  
No. 72A, Jalan Universiti, 46200 Petaling Jaya,  
Selangor Darul Ehsan, Malaysia

☉ LEDVANCE Prosperity Co., Ltd.  
20/F Cornell Centre, 50 Wing Tai Rd.,  
Chai Wan, Hong Kong

☉ LEDVANCE Pvt. Ltd.,  
1201 – 1202, 12th Floor, Signature Towers, Tower – A,  
South City –I, Gurugram – 122001, Haryana (India)  
Consumer care cell (Name and address as per above),  
Consumer care Tel.No. 0124-4150100  
TOLL FREE NUMBER – 18001026258  
E-mail Id: customercare@ledvance.com  
www.ledvance.in

☉ (주)레드밴스  
서울시 강남구 삼성로 554 예성빌딩 6층  
(우편번호 06165)  
전화번호: +82 80 489 1700  
www.ledvance.co.kr

☉ LEDVANCE MIDDLE EAST FZE  
Office No. LB040123  
PO Box 17476, Jebel Ali Free Zone  
Dubai, United Arab Emirates  
Tel.: +971 4 881 37 67  
Fax: +971 4 881 37 69

☉ PT RALUM INDONESIA  
Citra Raya Blok I. 26/17, Kel. Cikupa,  
Kec. Cikupa, Kab. Tangerang, Prop.  
Banten 10320, Jakarta, Indonesia

IP66    RoHS  IK08 

C10449057  
G11174628  
2023-08-09

[www.ledvance.com](http://www.ledvance.com)