

## LUM – Technical Information

**A recessed spot for orientate illumination.**



### **Tender text**

- Economical solution, ready to install, kit version (all components inside the packaging)
- Interior illuminating with comfortable atmosphere. For stores, shop windows, restaurants & hotels, corridors...
- False ceiling integration, safety class 3, IP23, IK02
- Mains voltage 230/240V, mains frequency 50–60 Hz
- Equipped with Halogen DECOSTAR® DR51 standard lamp, 50W 12V, color temperature 3100 K, lifetime 2 000 h
- Equipped with electronic control gear dimmable: Trailing edge phase control.

### **Table of contents:**

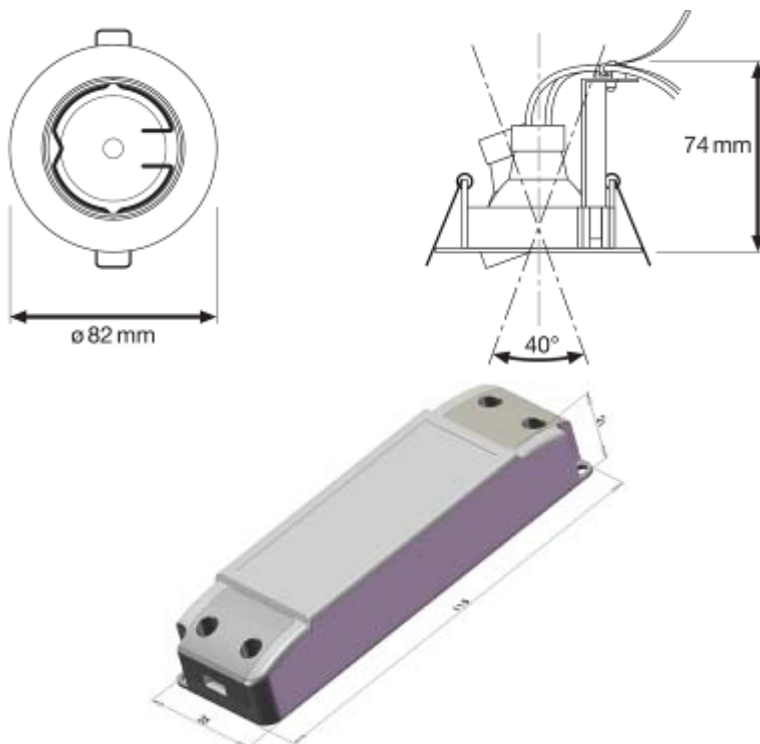
<b>Tender text.....</b>	<b>1</b>
<b>A) Technical Information .....</b>	<b>2</b>
<b>1) Housing, Mounting and Accessories .....</b>	<b>2</b>
<b>2) Electrical Installation .....</b>	<b>3</b>
<b>3) Optical features .....</b>	<b>4</b>
<b>4) Control .....</b>	<b>5</b>
<b>B) Logistic Data.....</b>	<b>5</b>

## A) Technical Information

### 1) Housing, Mounting and Accessories

- Lamp is fixed into the spot with a steel ring
- No accessories needed

<b>Product name</b>	<b>Kit Halo Classic 1x50W White</b>
<b>Body material</b>	Die casted aluminum
<b>Color of the luminaire (RAL)</b>	White RAL 9016
<b>Form</b>	Round
<b>Cover material</b>	No cover
<b>Reflector type</b>	Reflector included into the lamp
<b>Fixing of the lamp</b>	One steel ring
<b>Adjustable</b>	Yes
<b>Number of lighting outlets</b>	1
<b>Diameter [mm]</b>	82
<b>Type of installation</b>	Recessed, with 2 spring clips on the false ceiling
<b>Mounting diameter [mm]</b>	75
<b>Mounting height [mm]</b>	Min. 150 into the false ceiling
<b>Net weight (with lamp, ECG and cables) [g]</b>	195



<b>Product name</b>	<b>Kit Halo Classic 1x50W White</b>
<b>Protection class</b>	III
<b>Type of protection (IP code)</b>	IP23
<b>Protection against ignition and fire</b>	F
<b>Glow Wire Test according to IEC 695-2-1 (&gt; 650°C)</b>	960 °C
<b>Shock resistance (IK code)</b>	IK02
<b>Approval marks</b>	CE – SEMCO - EMC
<b>Photometric Classification DIN 5040</b>	See "Optical features"

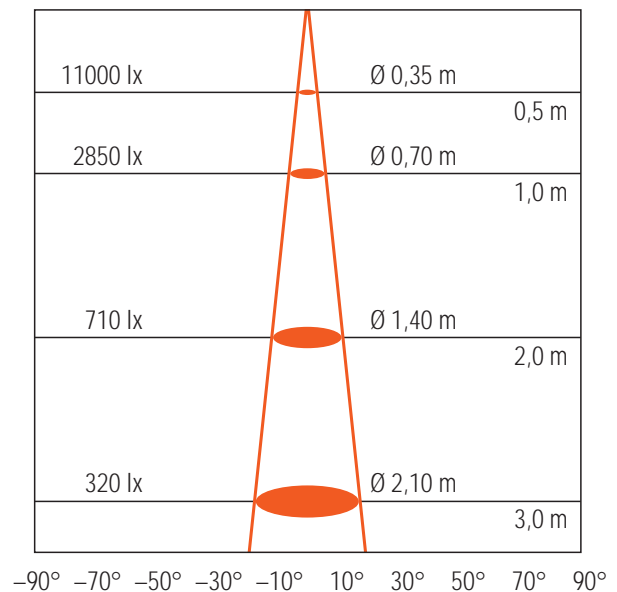
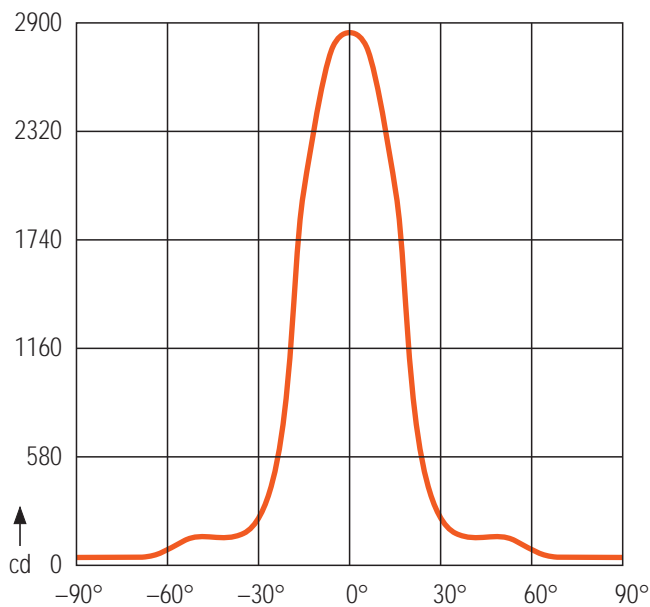
## 2) Electrical Installation

---

<b>Product name</b>	<b>Kit Halo Classic 1x50W White</b>
<b>Nominal wattage [W]</b>	50
<b>Mains voltage [V]</b>	220 to 240
<b>Rated current [A]</b>	0,24
<b>Mains frequency [Hz]</b>	50 / 60
<b>Type of connector</b>	Into the ECG, 2 screws binders connector

## 3) Optical features

<b>Product name</b>	<b>Kit Halo Classic 1x50W White</b>
<b>Equipped with Lamp</b>	Yes
<b>Lamp type</b>	OSRAM DR 51 50W 12V (44870WFL)
<b>EAN</b>	4050300 272795
<b>Base</b>	GU5.3
<b>Lifespan lamp</b>	2 000 h
<b>Beam angle [°]</b>	36
<b>Color temperature [K]</b>	3 100
<b>Luminous intensity [cd]</b>	1 450



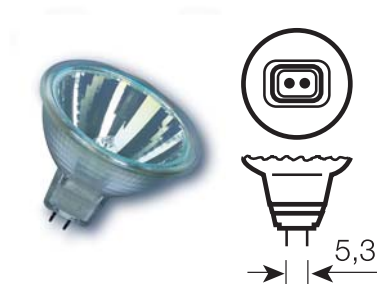
48870 WFL

46870 WFL: ·/· 23%

41870 WFL: ·/· 47%

44870 WFL: ·/· 49%

41871 WFL: ·/· 37%



## 4) Control

- Electronic control gear

<b>Product name</b>	<b>Kit Halo Classic 1 x 50 W White</b>
<b>Ballast / Control gear</b>	Electronic control gear for 12V lamps
<b>Permissible sinusoidal operating voltage [V<sub>AC</sub>]</b>	220 to 240
<b>Mains frequency [Hz]</b>	50 / 60
<b>Secondary voltage</b>	11,5V
<b>Wattage range [W]</b>	20 to 60
<b>Dimmable [Yes/No]</b>	Trailing edge phase control
<b>Through-wiring</b>	No
<b>ECG certification</b>	EMC – CE - SEMCO

## B) Logistic Data

<b>Product reference</b>	<b>Product number</b>	<b>Lamp base</b>	<b>Color temperature</b>	<b>SU</b>
Kit Halo Classic 1 x 50 W White	4008321 390806	GU5.3	3100 K	24x1

- Packaging content:  
spot + lamp + ECG + fixing system + lamp holder & wiring + user instruction