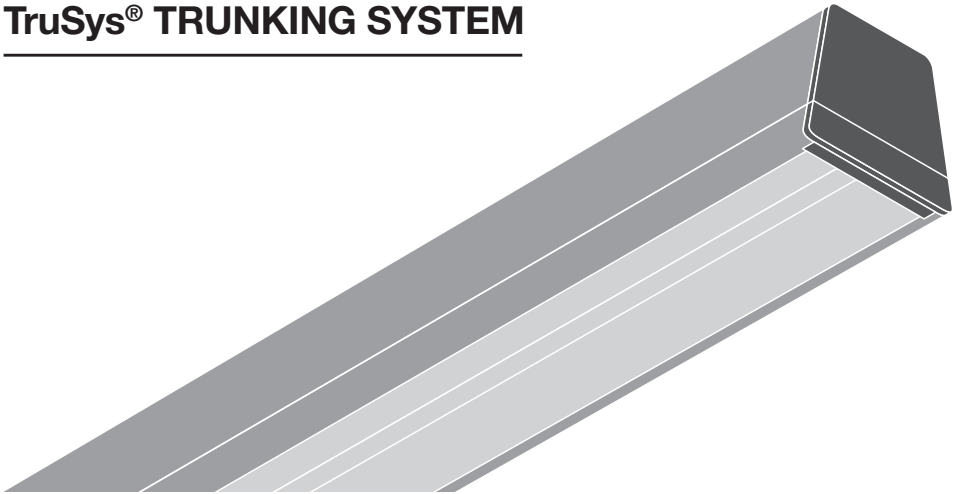
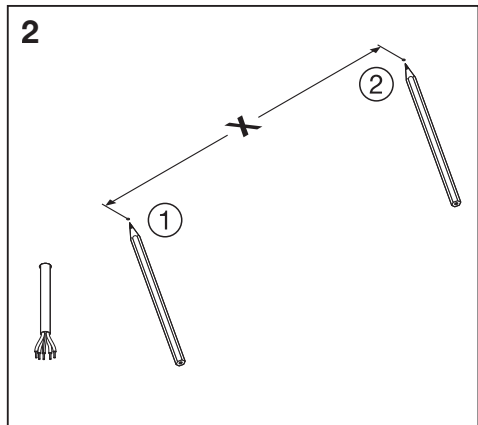
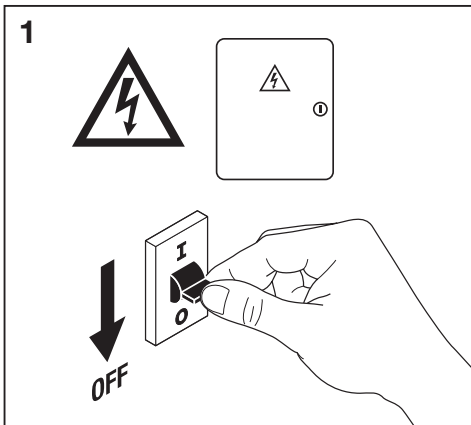
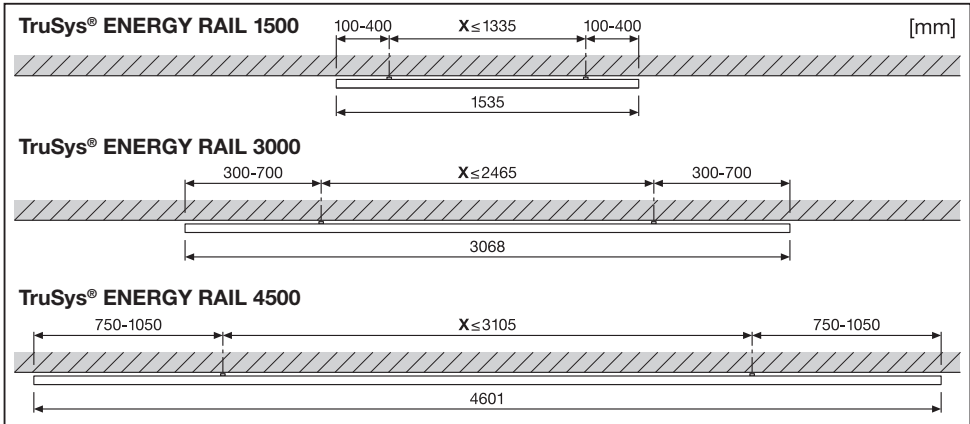
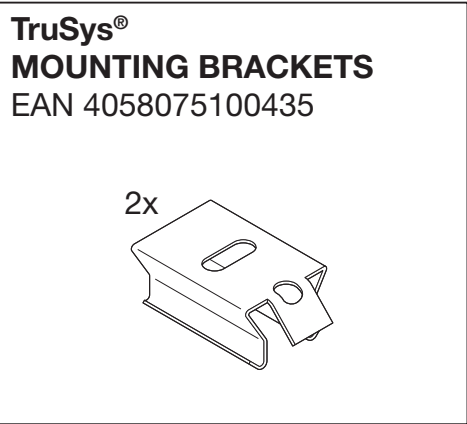
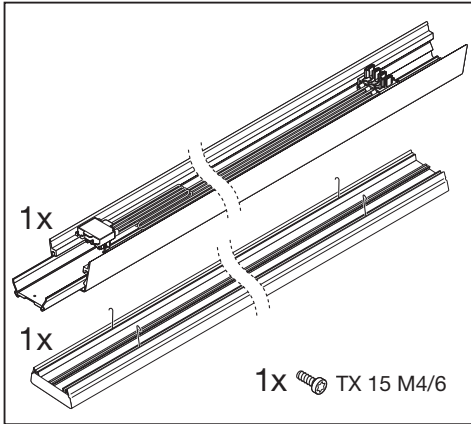


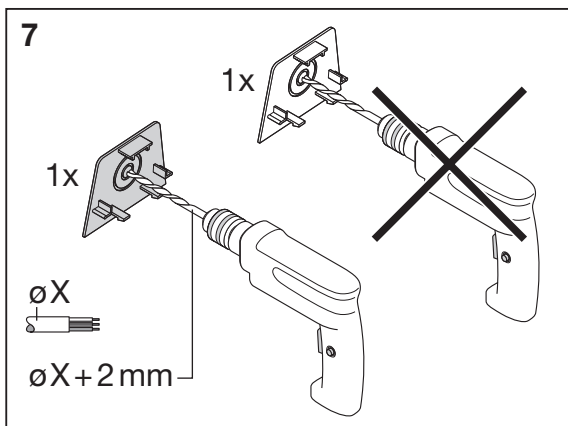
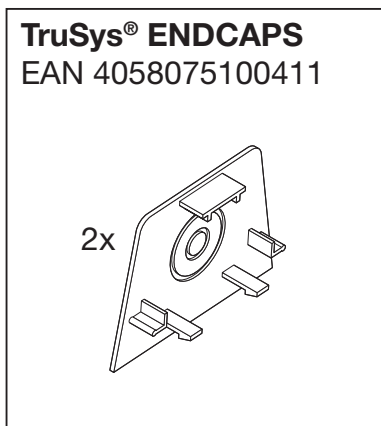
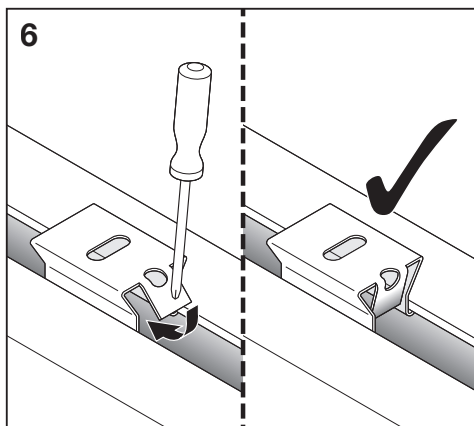
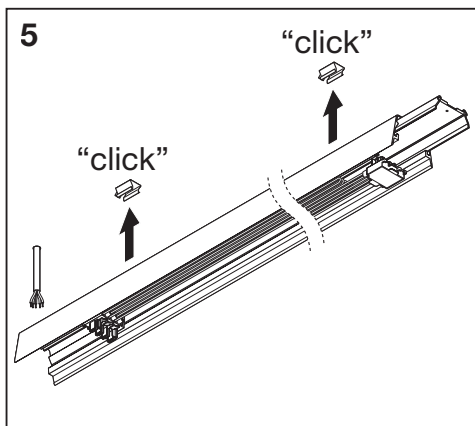
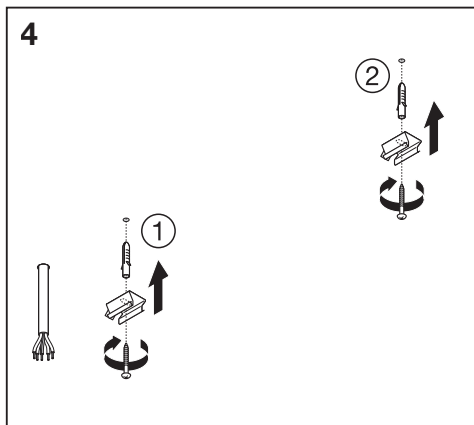
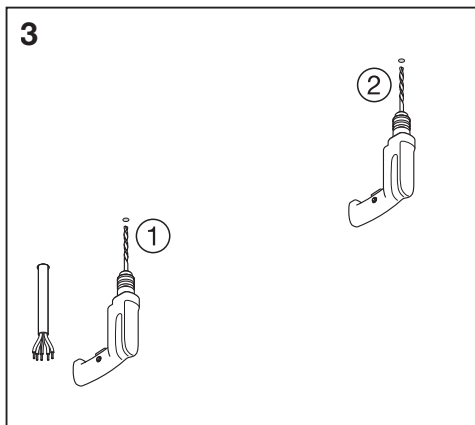
## TruSys® TRUNKING SYSTEM



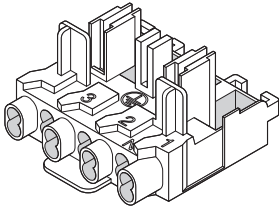
|                                | EAN           | l x w x h [mm] | W  | lm   | lm/W | K    | IP | IK |
|--------------------------------|---------------|----------------|----|------|------|------|----|----|
| TruSys® LED 53W 3000K W SI     | 4058075100459 | 1535 x 71 x 53 | 53 | 6600 | 125  | 3000 | 20 | 07 |
| TruSys® LED 53W 4000K W SI     | 4058075100473 | 1535 x 71 x 53 | 53 | 7200 | 135  | 4000 | 20 | 07 |
| TruSys® LED 53W 6500K W SI     | 4058075100497 | 1535 x 71 x 53 | 53 | 6900 | 130  | 6500 | 20 | 07 |
| TruSys® LED 53W 3000K NFL SI   | 4058075100510 | 1535 x 71 x 53 | 53 | 6200 | 115  | 3000 | 20 | 07 |
| TruSys® LED 53W 4000K NFL SI   | 4058075100534 | 1535 x 71 x 53 | 53 | 6700 | 125  | 4000 | 20 | 07 |
| TruSys® LED 53W 6500K NFL SI   | 4058075100558 | 1535 x 71 x 53 | 53 | 6500 | 125  | 6500 | 20 | 07 |
| TruSys® LED 53W 3000K WW SI    | 4058075100572 | 1535 x 71 x 53 | 53 | 5700 | 110  | 3000 | 20 | 07 |
| TruSys® LED 53W 4000K WW SI    | 4058075100596 | 1535 x 71 x 53 | 53 | 6300 | 120  | 4000 | 20 | 07 |
| TruSys® LED 53W 6500K WW SI    | 4058075100619 | 1535 x 71 x 53 | 53 | 6100 | 115  | 6500 | 20 | 07 |
| TruSys® LED 53W 3000K DA SI    | 4058075100633 | 1535 x 71 x 53 | 53 | 6400 | 120  | 3000 | 20 | 07 |
| TruSys® LED 53W 4000K DA SI    | 4058075100657 | 1535 x 71 x 53 | 53 | 6900 | 130  | 4000 | 20 | 07 |
| TruSys® LED 53W 6500K DA SI    | 4058075100671 | 1535 x 71 x 53 | 53 | 6700 | 125  | 6500 | 20 | 07 |
| TruSys® ENERGY RAIL 1500 5X2,5 | 4058075100299 | 1535 x 67 x 44 | -  | -    | -    | -    | 20 | 07 |
| TruSys® ENERGY RAIL 3000 5X2,5 | 4058075100312 | 3068 x 67 x 44 | -  | -    | -    | -    | 20 | 07 |
| TruSys® ENERGY RAIL 4500 5X2,5 | 4058075100336 | 4601 x 67 x 44 | -  | -    | -    | -    | 20 | 07 |

|                                | EAN           | ∅ (°C)    | V <sub>AC</sub> | Hz      | ∇       | PF     | R <sub>a</sub> | 👤      |
|--------------------------------|---------------|-----------|-----------------|---------|---------|--------|----------------|--------|
| TruSys® LED 53W 3000K W SI     | 4058075100459 | -20...+45 | 220-240V        | 50/60Hz | 105°    | > 0.95 | > 80           | 1.7 kg |
| TruSys® LED 53W 4000K W SI     | 4058075100473 | -20...+45 | 220-240V        | 50/60Hz | 105°    | > 0.95 | > 80           | 1.7 kg |
| TruSys® LED 53W 6500K W SI     | 4058075100497 | -20...+45 | 220-240V        | 50/60Hz | 105°    | > 0.95 | > 80           | 1.7 kg |
| TruSys® LED 53W 3000K NFL SI   | 4058075100510 | -20...+45 | 220-240V        | 50/60Hz | 25°     | > 0.95 | > 80           | 1.7 kg |
| TruSys® LED 53W 4000K NFL SI   | 4058075100534 | -20...+45 | 220-240V        | 50/60Hz | 25°     | > 0.95 | > 80           | 1.7 kg |
| TruSys® LED 53W 6500K NFL SI   | 4058075100558 | -20...+45 | 220-240V        | 50/60Hz | 25°     | > 0.95 | > 80           | 1.7 kg |
| TruSys® LED 53W 3000K WW SI    | 4058075100572 | -20...+45 | 220-240V        | 50/60Hz | 45°     | > 0.95 | > 80           | 1.7 kg |
| TruSys® LED 53W 4000K WW SI    | 4058075100596 | -20...+45 | 220-240V        | 50/60Hz | 45°     | > 0.95 | > 80           | 1.7 kg |
| TruSys® LED 53W 6500K WW SI    | 4058075100619 | -20...+45 | 220-240V        | 50/60Hz | 45°     | > 0.95 | > 80           | 1.7 kg |
| TruSys® LED 53W 3000K DA SI    | 4058075100633 | -20...+45 | 220-240V        | 50/60Hz | 2 x 35° | > 0.95 | > 80           | 1.7 kg |
| TruSys® LED 53W 4000K DA SI    | 4058075100657 | -20...+45 | 220-240V        | 50/60Hz | 2 x 35° | > 0.95 | > 80           | 1.7 kg |
| TruSys® LED 53W 6500K DA SI    | 4058075100671 | -20...+45 | 220-240V        | 50/60Hz | 2 x 35° | > 0.95 | > 80           | 1.7 kg |
| TruSys® ENERGY RAIL 1500 5X2,5 | 4058075100299 | -20...+45 | 220-240V        | 50/60Hz | -       | > 0.95 | > 80           | 1.5 kg |
| TruSys® ENERGY RAIL 3000 5X2,5 | 4058075100312 | -20...+45 | 220-240V        | 50/60Hz | -       | > 0.95 | > 80           | 3.0 kg |
| TruSys® ENERGY RAIL 4500 5X2,5 | 4058075100336 | -20...+45 | 220-240V        | 50/60Hz | -       | > 0.95 | > 80           | 4.5 kg |

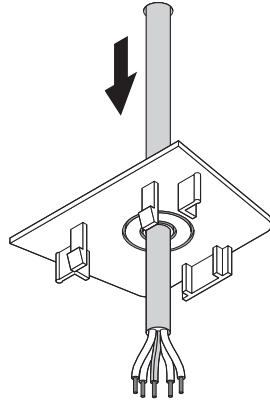




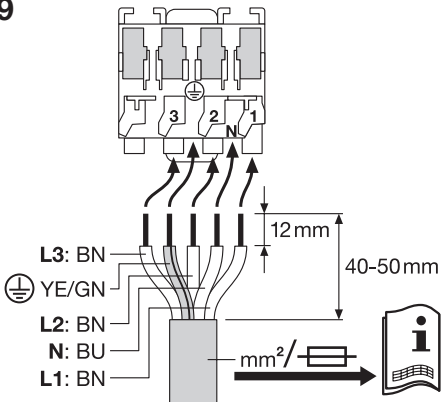
**TruSys®**  
**ELECTRICAL CONNECTOR**  
EAN 4058075155565



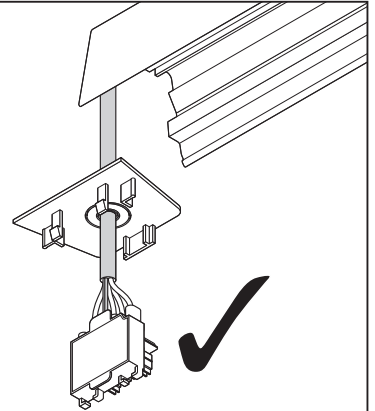
8



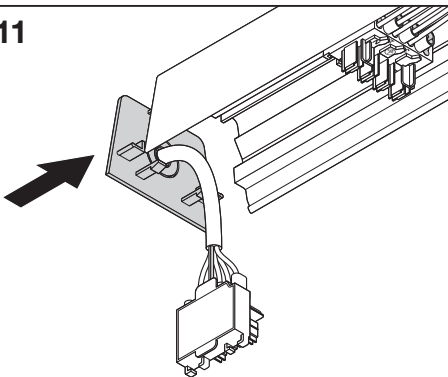
9



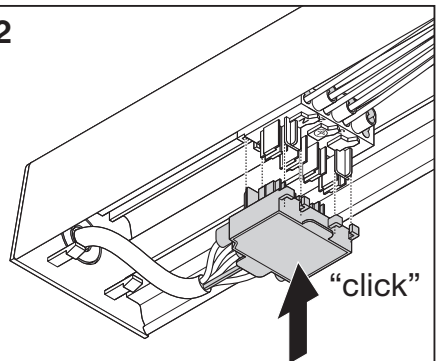
10

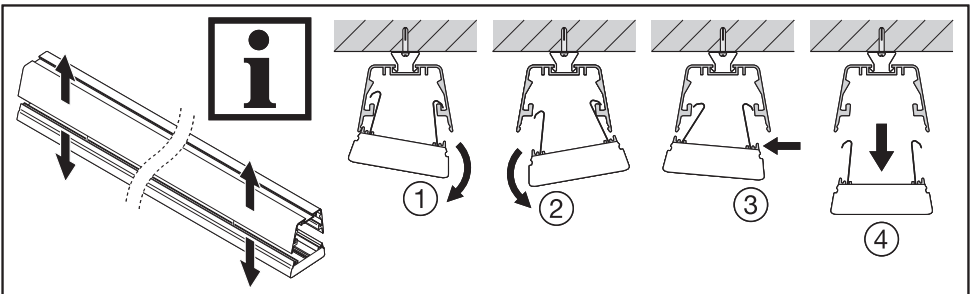
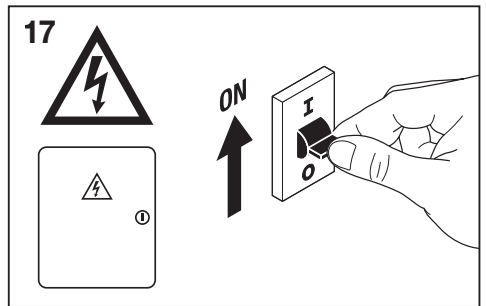
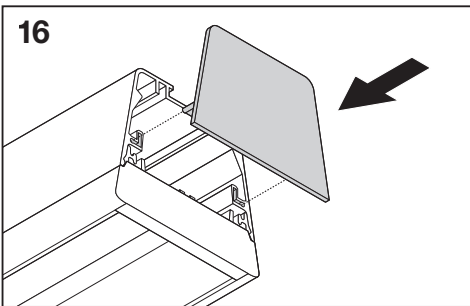
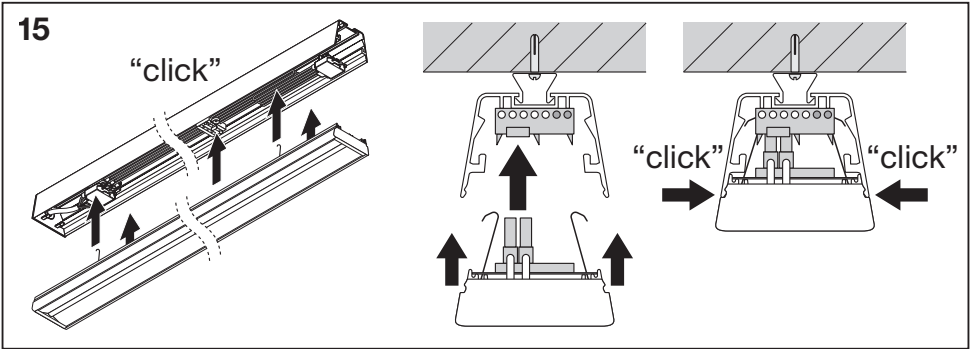
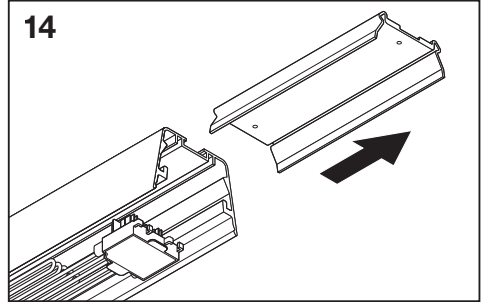
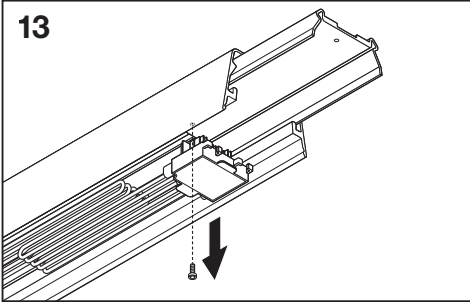


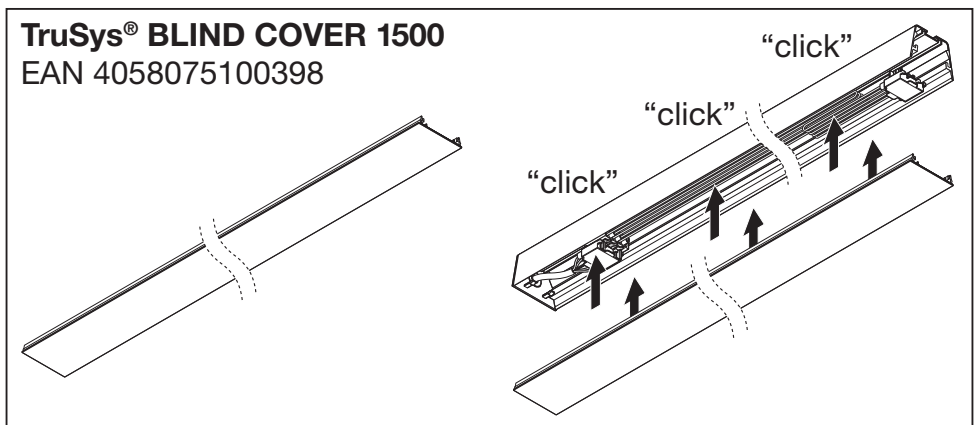
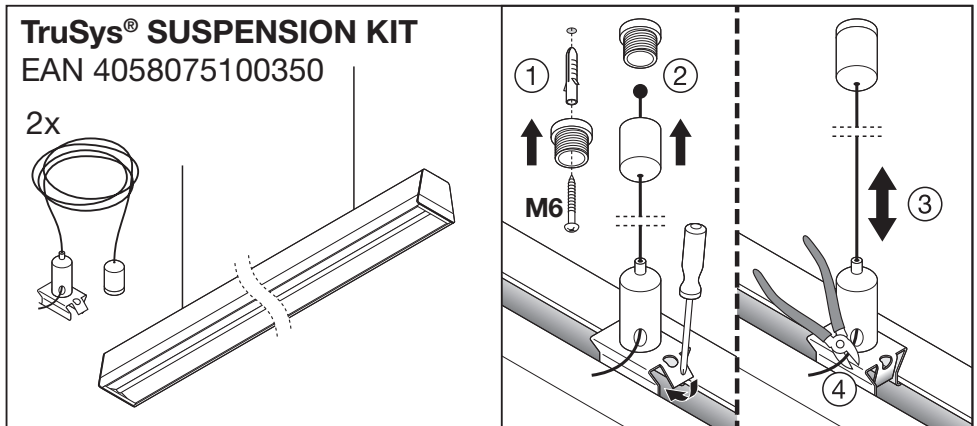
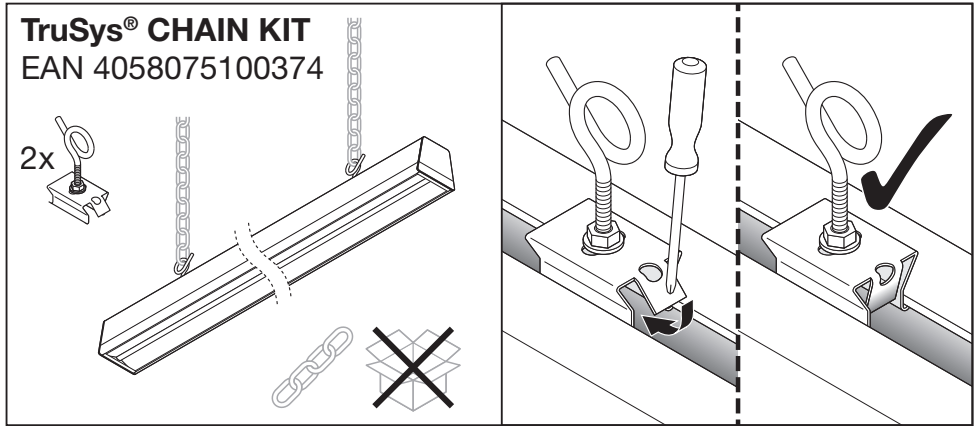
11

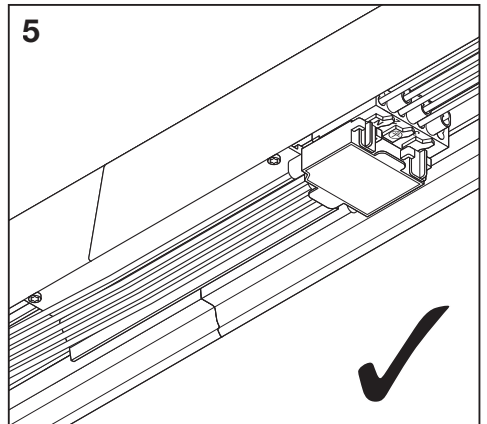
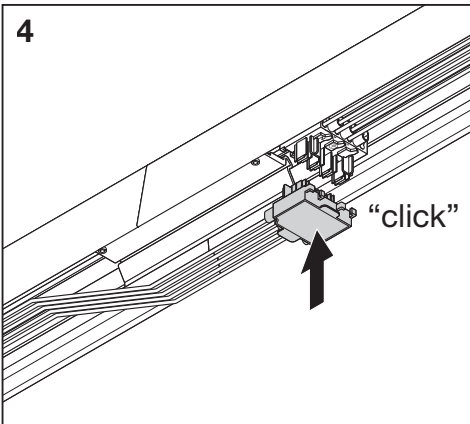
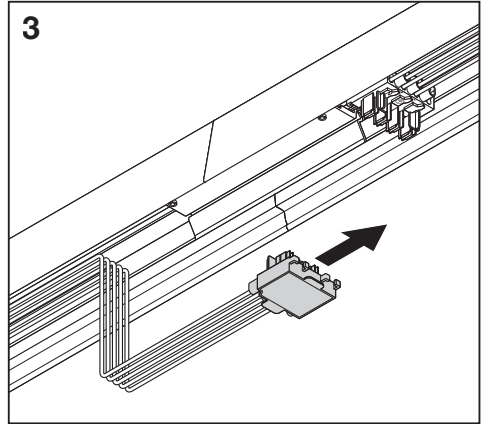
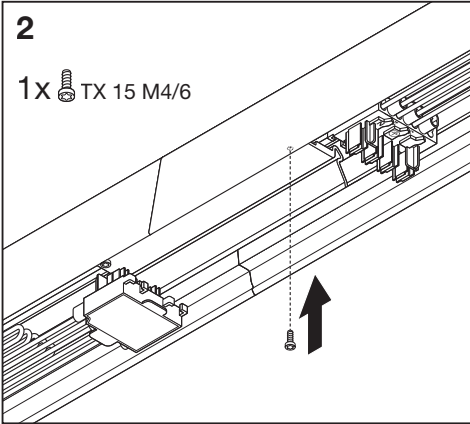
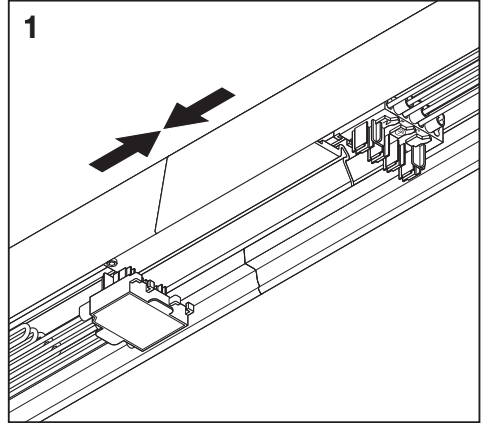
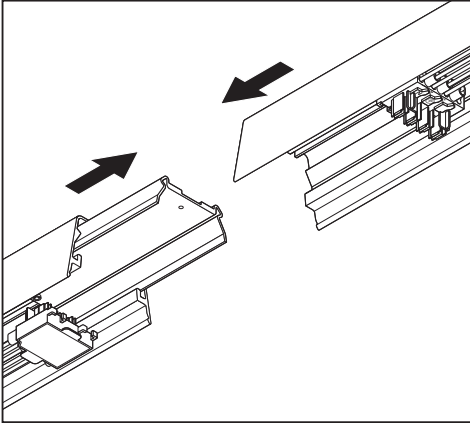


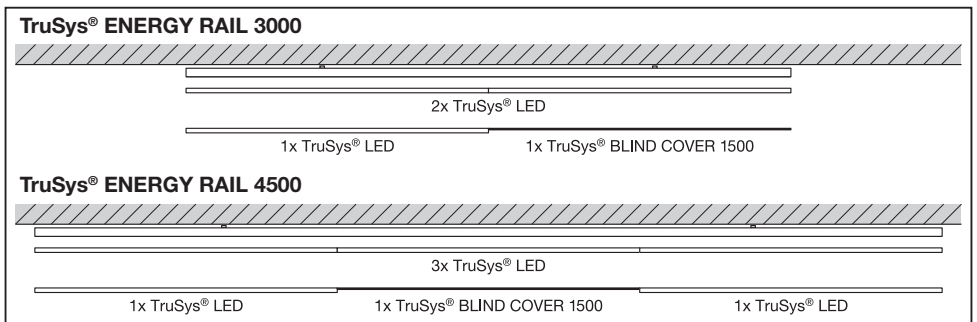
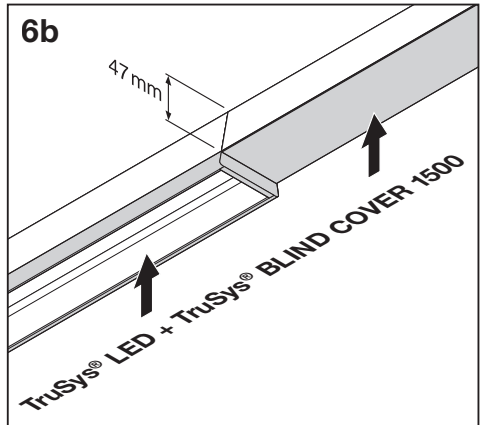
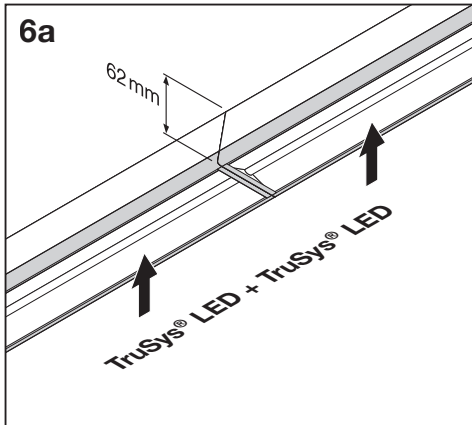
12



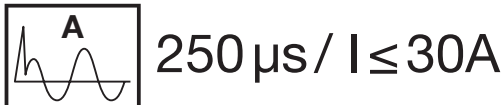








|  | ~ 230V / ~ 243mA / ~ 53W / PF ~ 0.95 |                    |                    |                    |                    |                    |
|--|--------------------------------------|--------------------|--------------------|--------------------|--------------------|--------------------|
|  | <b>C10</b>                           | <b>C13</b>         | <b>C16</b>         | <b>B10</b>         | <b>B13</b>         | <b>B16</b>         |
|  | 1.5mm <sup>2</sup>                   | 1.5mm <sup>2</sup> | 1.5mm <sup>2</sup> | 1.5mm <sup>2</sup> | 1.5mm <sup>2</sup> | 1.5mm <sup>2</sup> |
| <b>LC 57W 800-1050 mA flexC Ip ADV</b> | <b>n=15</b>                          | <b>n=20</b>        | <b>n=27</b>        | <b>n=9</b>         | <b>n=12</b>        | <b>n=16</b>        |



C10449058  
G11054129  
04.09.18



LEDVANCE GmbH  
Steinerne Furt 62  
86167 Augsburg, Germany  
[www.ledvance.com](http://www.ledvance.com)