

PRODUCT DATASHEET

HB BRACKET 138

HIGH BAY BRACKETS GEN 5 | Mounting accessory for HIGH BAY GEN 5 luminaires



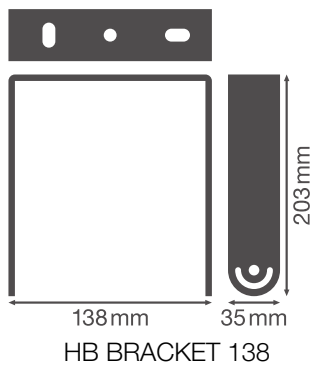
Product features

- Brackets made of black steel
- Adjustable swivel angle: $\pm 90^\circ$
- HB BRACKET 138 suitable for HB P 75W, 150W and 200W versions (On-Off and DALI)

TECHNICAL DATA

Dimensions & Weight

Length	138 mm
Width	35 mm
Height	150 mm
Product weight	350.00 g







Materials & Colors

Product color	Black
Body material	Steel

Application & Mounting

Mounting type	Surface
Mounting location	Luminaire

DOWNLOAD DATA

Documents and certificates		Document name
	User instruction / safety instructions	HB ACC UI
	User instruction / safety instructions	HB ACC
	Declarations of conformity	HIGHBAY P
	Declarations of conformity UKCA	HIGHBAY P

LOGISTICAL DATA

Product code	Packaging unit (Pieces/Unit)	Dimensions (length x width x height)	Gross weight	Volume
4058075844643	Folding box 1	40 mm x 140 mm x 205 mm	388.00 g	1.15 dm ³
4058075844650	Shipping box 10	302 mm x 227 mm x 234 mm	4249.00 g	16.04 dm ³

The mentioned product code describes the smallest quantity unit which can be ordered. One shipping unit can contain one or more single products. When placing an order, for the quantity please enter single or multiples of a shipping unit.

References / Links

– For Guarantee see www.ledvance.com/guarantee

DISCLAIMER

Subject to change without notice. Errors and omission excepted. Always make sure to use the most recent release.