

PRODUCT DATASHEET

TRACK SP REFLECTOR D85 FL

TRACKLIGHT SPOT REFLECTOR | Interchangeable reflector



Product benefits

- Reflector easily replaceable thanks to bayonet catch and rubber suction pad
- Clear cover protects the reflector against dust and contact
- High optical efficacy

Product features

- Accessory reflectors available in different beam angles

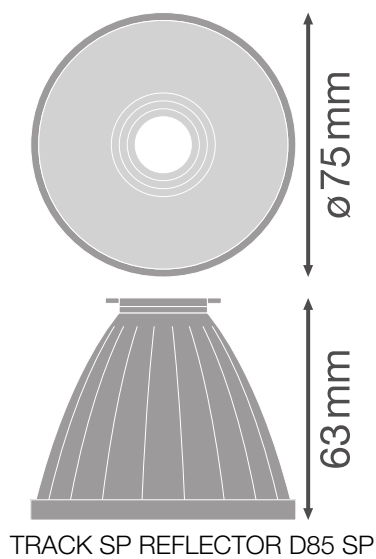


TECHNICAL DATA**Photometrical data**

Beam angle	38 °
------------	------

Dimensions & Weight

Diameter	75,0 mm
Height	63 mm
Product weight	33.00 g





**Materials & Colors**

Product color	Silver
Body material	Polycarbonate (PC)

Certificates & Standards

Luminaire with limited surface temperature, "D sign"	No
Ball shot safe	No

DOWNLOAD DATA

Documents and certificates	Document name
 User instruction / safety instructions	UI Tracklight Spot
 Legal information	Informationstext 18 Abs 4 ElektroG
 Declarations of conformity	Attestation-of-Conformity Track SP LEDV
 Declarations of conformity	Attestation-of-Conformity Track SP TÜV

LOGISTICAL DATA

Product code	Packaging unit (Pieces/Unit)	Dimensions (length x width x height)	Gross weight	Volume
4058075113862	Folding box 1	80 mm x 80 mm x 70 mm	68.00 g	0.45 dm ³
4058075113879	Shipping box 4	180 mm x 108 mm x 174 mm	349.00 g	3.38 dm ³

The mentioned product code describes the smallest quantity unit which can be ordered. One shipping unit can contain one or more single products. When placing an order, for the quantity please enter single or multiples of a shipping unit.

DISCLAIMER

Subject to change without notice. Errors and omission excepted. Always make sure to use the most recent release.