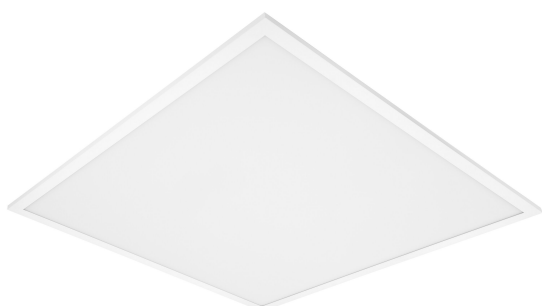


PRODUCT DATASHEET

PANEL PFM 600 UGR < 19 33 W 3000 K WT

PANEL PERFORMANCE 600 UGR < 19 | Square recessed panel luminaires, low glare, 600 x 600 mm



Areas of application

- Direct replacement for luminaires with fluorescent lamps
- Corridors
- Offices
- Conference rooms
- Reception areas
- Foyers
- Elevators
- Suitable for recessed ceiling systems with grid size of 600 x 600 mm

Product benefits

- Good glare reduction (UGR < 19)
- Energy savings of up to 50 % (compared to luminaires that use fluorescent lamps)
- External driver for extended flexibility
- Light guide plate with micro structure made of non-yellowing material for long lifetime
- Easy and quick installation
- Low flicker light thanks to special electronic control gear
- 5 years guarantee

Product features

- High luminous efficacy: up to 110 lm/W
- Lifetime (L80/B10): up to 60,000 h (at 25 °C)
- Connector box with push wire terminal for tool-free connection
- Aluminum housing, polystyrene diffuser



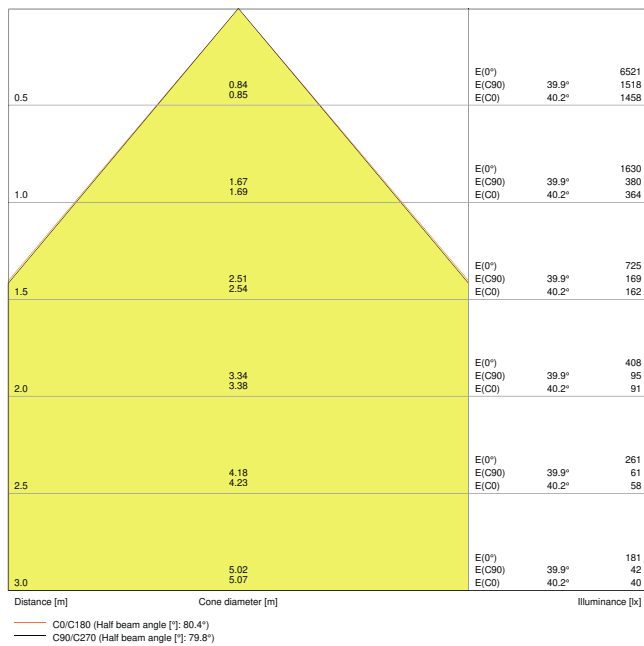
TECHNICAL DATA

Electrical data

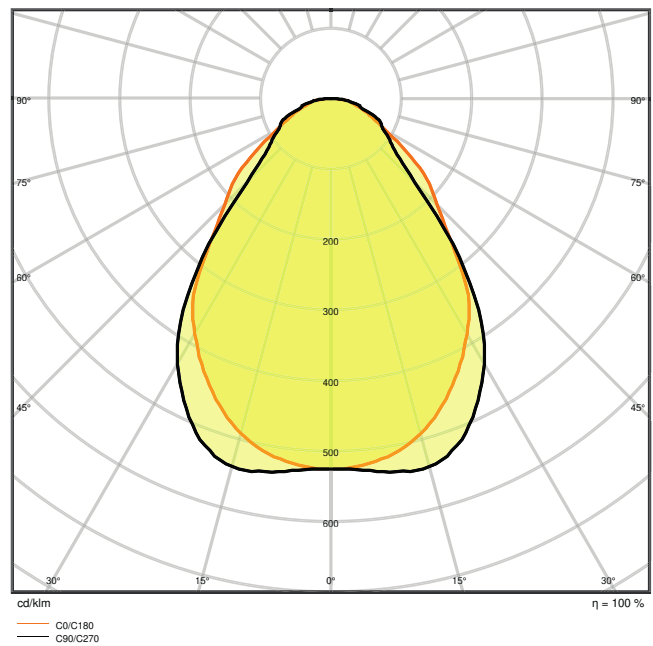
Nominal wattage	33.00 W
Nominal voltage	220...240 V
Mains frequency	50...60 Hz
Nominal current	170 mA
Inrush current	15.6 A
Inrush current time T_{h50}	156 μ s
Max. number of luminaires per miniature circuit breaker B16	38
Max. number of luminaires per miniature circuit breaker C10	30
Max. number of luminaires per miniature circuit breaker C16	49
Power factor λ	≥ 0.95
Total harmonic distortion	$< 7 \%$
Protection class	II
Operating mode	External LED driver

Photometrical data

Luminous flux	3100 lm
Luminous efficacy	100 lm/W
Color temperature	3000 K
Light color (designation)	Warm White
Color rendering index Ra	≥ 80
Standard deviation of color matching	5 sdc _m
Low flicker	Yes
Photobiological safety group acc. to EN62778	RG0
Beam angle	90 °
UGR	< 19



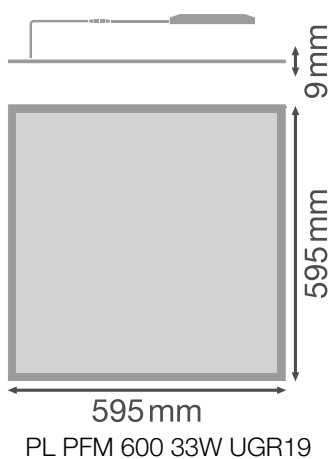
PL PFM 600 33W3000K UGR19



PL PFM 600 33W3000K UGR19

Dimensions & Weight

Length	595.00 mm
Width	595.00 mm
Height	9.00 mm
Product weight	2050.00 g



Materials & Colors

Product color	White
Housing color	White
Body material	Steel
Cover material	Polystyrene (PS)
Light emitting surface material	Polystyrene
Glow Wire Test according to IEC 60695-2-12	650 °C
Mercury content	0.0 mg

Application & Mounting

Ambient temperature range	-10...+45 °C
Type of connection	Cable, 3-pole
Type of protection	IP20
Protection class IK (shock resistance)	IK03
Dimmable	No
Mounting type	Recessed/Suspended/Surface
Mounting location	Ceiling / Wall
Application environment	Indoor
Mounting length	591 mm
Mounting width	591 mm
Mounting depth	50,0 mm

Lifespan

Lifespan L70/B50 at 25 °C	80000 h ¹⁾
Lifespan L80/B10 at 25 °C	60000 h ¹⁾
Lifespan L80/B50 at 25 °C	60000 h
Lifespan L90/B10 at 25 °C	35000 h
Number of switching cycles	25000

¹⁾ t[h]: L70 / B50 @ 25 °C (Ta), t[h]: L80 / B10 @ 25 °C (Ta), t[h]: L90 / B10 @ 25 °C (Ta)

Control gear







ECG - Output ripple current	< 5 %
-----------------------------	-------

Certificates & Standards

Standards	CE / CB / TÜV SÜD / EAC / RoHS
Ball shot safe	No

Replaceable light source (EPREL)	Not replaceable
----------------------------------	-----------------


Accessories Optional







Product image	Product name	EAN
	PANEL 600 SURFACE MOUNT KIT H70 VAL	4058075402843
	PANEL RECESSED MOUNT CLIPS VAL 4x	4058075409859
	PANEL 600 RECESSED MOUNT FRAME	4058075402881
	PANEL 600 SURFACE MOUNT KIT H75	4058075472914
	EM CONVERSION BOX	4058075237025
	PANEL Suspension Kit	4058075402928

EQUIPMENT / ACCESSORIES

- Accessories for several mounting options available
- External control gear included
- Not suitable for use with Emergency Conversion Box

DOWNLOAD DATA

Documents and certificates	Document name
 User instruction / safety instructions	UI PANEL PFM 600_625

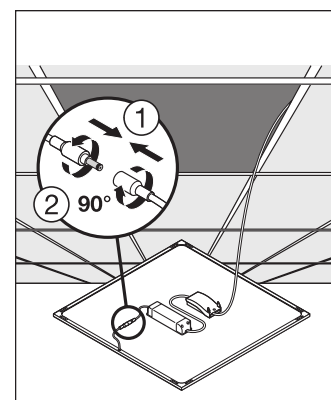
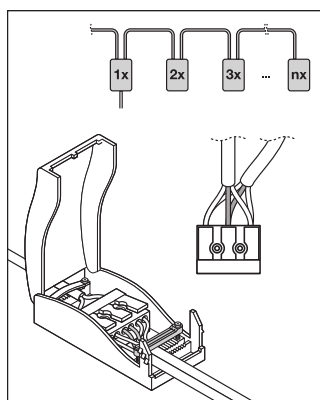
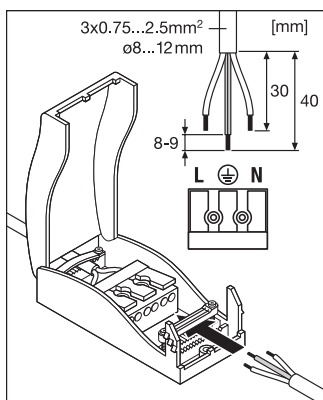
Documents and certificates		Document name
	Certificates	Certificate TUV PANEL PFM
Photometric and lighting design files		Document name
	IES file (IES)	PL PFM 600 33W3000K UGR19
	LDT file (Eulumdat)	PL PFM 600 33W3000K UGR19
	UGR file (UGR table)	PL PFM 600 33W3000K UGR19
	Light distribution curve type cone	PL PFM 600 33W3000K UGR19
	Light distribution curve type polar	PL PFM 600 33W3000K UGR19

LOGISTICAL DATA

Product code	Packaging unit (Pieces/Unit)	Dimensions (length x width x height)	Gross weight	Volume
4058075225237	Folding box 1	40 mm x 627 mm x 684 mm	2370.00 g	17.15 dm ³
4058075225244	Shipping box 4	695 mm x 170 mm x 645 mm	12500.00 g	76.21 dm ³
4058075394698	Shipping box 6	782 mm x 150 mm x 687 mm	16363.00 g	80.59 dm ³

The mentioned product code describes the smallest quantity unit which can be ordered. One shipping unit can contain one or more single products. When placing an order, for the quantity please enter single or multiples of a shipping unit.

ADDITIONAL CATALOG INFORMATION



References / Links

– For Guarantee see www.ledvance.com/guarantee

DISCLAIMER

Subject to change without notice. Errors and omission excepted. Always make sure to use the most recent release.