

# PRODUCT DATASHEET

## LED ECO STREETLIGHT 70 W 4000 K

LED ECO STREETLIGHT | Streetlights



### Areas of application

- City roads, industrial roads, parking lots
- Residential sector
- Gardens

### Product benefits

- Slim housing
- Aesthetic and functional product design
- Homogeneous luminance distribution and minimized glare thanks to optical lens
- Easy installation thanks to pre-wired with mains cable
- High quality aluminum housing

### Product features

- Surge protection: up to 10 kV (L-N)
- Lifetime up to 50,000 h
- Type of protection: IP66
- Impact resistance: IK08



---

**TECHNICAL DATA****Electrical data**

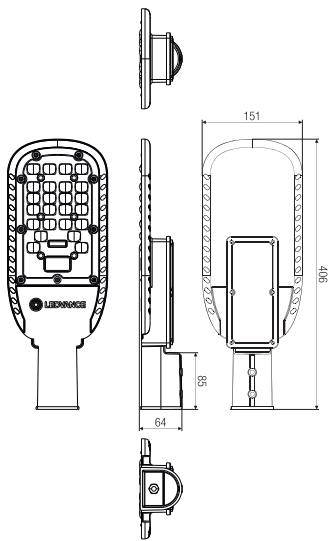
|                        |                       |
|------------------------|-----------------------|
| Nominal wattage        | 70.00 W               |
| Nominal voltage        | 100...240 V           |
| Mains frequency        | 50...60 Hz            |
| Power factor $\lambda$ | > 0.90                |
| Protection class       | I                     |
| Operating mode         | Integrated LED driver |

**Photometrical data**

|                                      |              |
|--------------------------------------|--------------|
| Luminous flux                        | 7000 lm      |
| Luminous efficacy                    | 100 lm/W     |
| Color temperature                    | 4000 K       |
| Light color (designation)            | Cool White   |
| Color rendering index Ra             | 80           |
| Standard deviation of color matching | 5 sdcn       |
| Beam angle                           | 75 ° x 135 ° |

**Dimensions & Weight**

|                |           |
|----------------|-----------|
| Length         | 406.00 mm |
| Width          | 151.00 mm |
| Height         | 77.00 mm  |
| Product weight | 1481.00 g |
| Cable length   | 500 mm    |



LDECO STREET L 70W

### Materials & Colors

|                 |                             |
|-----------------|-----------------------------|
| Product color   | Gray                        |
| Housing color   | Gray                        |
| Body material   | Aluminum Polycarbonate (PC) |
| Cover material  | Polycarbonate (PC)          |
| Mercury content | 0.0 mg                      |

### Application & Mounting

|  |               |
|--|---------------|
| Ambient temperature range              | -30...+50 °C  |
| Temperature range at storage           | -40...+70 °C  |
| Type of connection                     | Cable, 3-pole |
| Type of protection                     | IP66          |
| Protection class IK (shock resistance) | IK08          |
| Dimmable                               | No            |
| Mounting type                          | Standing      |
| Mounting location                      | Pole          |
| Application environment                | Outdoor       |
| Replaceable light source               | No            |

### Lifespan

|                           |                       |
|---------------------------|-----------------------|
| Lifespan L70/B50 at 25 °C | 50000 h <sup>1)</sup> |
|---------------------------|-----------------------|


|                            |        |
|----------------------------|--------|
| Number of switching cycles | 100000 |
|----------------------------|--------|

1) t[h]: L70 / B50 @ 25 °C (Ta), t[h]: L80 / B10 @ 25 °C (Ta), t[h]: L90 / B10 @ 25 °C (Ta)

### Certificates & Standards

|                                  |                 |
|----------------------------------|-----------------|
| Replaceable light source (EPREL) | Not replaceable |
|----------------------------------|-----------------|

### DOWNLOAD DATA

| Photometric and lighting design files   | Document name          |
|---|------------------------|
|  IES file (IES) | LDECO STREET L 70W 840 |

### LOGISTICAL DATA

| Product code  | Packaging unit (Pieces/Unit) | Dimensions (length x width x height) | Gross weight | Volume                |
|---------------|------------------------------|--------------------------------------|--------------|-----------------------|
| 4058075279032 | Folding box<br>1             | 446 mm x 99 mm x 198 mm              | 1288.00 g    | 8.74 dm <sup>3</sup>  |
| 4058075279049 | Shipping box<br>8            | 460 mm x 415 mm x 415 mm             | 11653.00 g   | 79.22 dm <sup>3</sup> |

The mentioned product code describes the smallest quantity unit which can be ordered. One shipping unit can contain one or more single products. When placing an order, for the quantity please enter single or multiples of a shipping unit.

### DISCLAIMER

Subject to change without notice. Errors and omission excepted. Always make sure to use the most recent release.